

INSULSPAN®

STRUCTURAL INSULATING PANEL SYSTEM

Better building ideas from PFB™



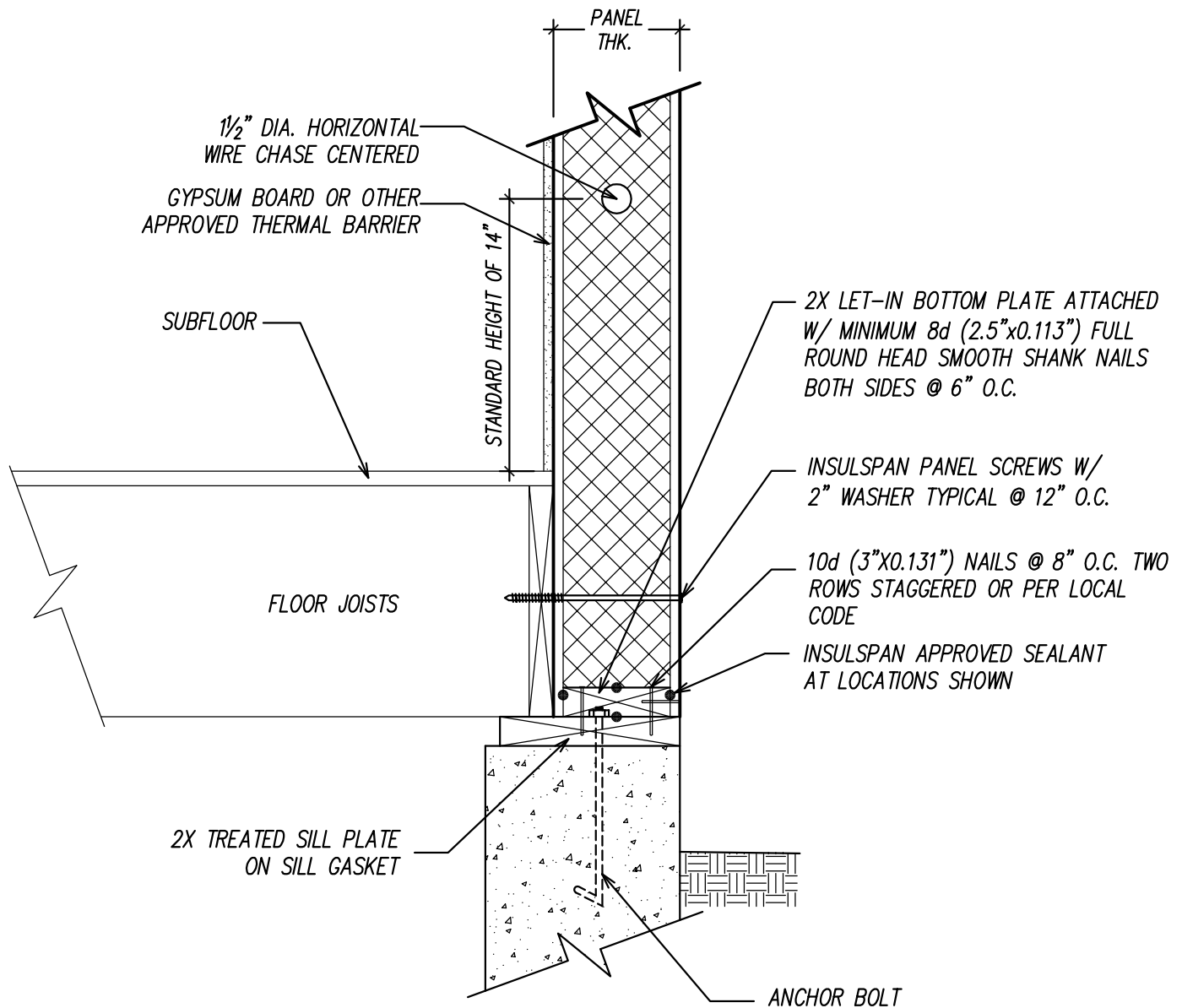
Construction Assembly Details

NOTE: Insulspan continuously updates its materials. For the most current versions, check the Specifying SIPS and Technical Product Information at www.insulspan.com.

INSULSPAN SIP CONNECTION DETAILS

Category	Description of Details	Detail No.	
Wall to Foundation	SIP Drop Wall/Deck	100.01	
	SIP Wall/Deck	100.02	
	SIP Wall/Deck/Joist Parallel	100.02A	
	SIP Wall/Slab	100.03	
	SIP Drop Wall/Deck/ICF	100.04	
	SIP Wall/Deck/ICF	100.05	
	SIP Wall/Deck/Joist Parallel/ICF	100.05A	
	SIP Wall/SIP Floor	100.06	
	SIP Drop Wall/SIP Floor	100.06A	
	SIP Wall/SIP Floor/Beam	100.07	
	SIP Wall/SIP Floor/Steel Beam	100.07A	
	Wall to Upper Floor	SIP Wall/Floor/Joist Hanger	200.01
		SIP Wall/Floor/Joist Perpendicular	200.02
SIP Wall/Floor/Joist Parallel		200.02A	
Wall Corner	SIP Wall Corner	200.03	
	SIP Wall Corner/Timber Frame	200.04	
	SIP Wall Corner/Timber Frame/Foam Gap	200.04A	
	SIP Wall Inside Corner/Timber Frame	200.05	
	SIP Wall Inside Corner/Timber Frame/Foam Gap	200.05A	
	SIP Wall Angled Corner	200.06	
	SIP Wall Angled Corner/Overlay	200.06A	
	SIP Wall/Partition Wall	200.07	
Wall to Roof	SIP Wall/Roof/Square Cut Eave	300.01	
	SIP Wall/Roof/Blocking/Square Cut Eave	300.01A	
	SIP Wall/Roof/Plumb Cut Eave	300.02	
	SIP Wall/Roof/Blocking/Plumb Cut Eave	300.02A	
	SIP Wall/Pre-Engineered Wood Trusses	300.03	
	SIP Wall/Roof/Rafter/Square Cut Eave	300.04	
	SIP Wall/Roof/Rafter/Foam Gap/Square Cut Eave	300.04A	
	SIP Wall/Roof/Rafter/Plumb Cut Eave	300.05	
	SIP Wall/Roof/Rafter/Foam Gap/Plumb Cut Eave	300.05A	
	SIP Wall/Roof/Purlin/Square Cut Eave	300.06	
	SIP Wall/Roof/Purlin/Foam Gap/Square Cut Eave	300.06A	
	SIP Wall/Roof/Purlin/Plumb Cut Eave	300.07	
	SIP Wall/Roof/Purlin/Foam Gap/Plumb Cut Eave	300.07A	
	ICF Wall/SIP Roof/Square Cut Eave	300.08	
	ICF Wall/SIP Roof/Plumb Cut Eave	300.09	
SIP Wall/Roof/Rake	300.10		

	SIP Wall/Roof/Timber Frame/Rake	300.11
	SIP Wall/Roof/Timber Frame/Foam Gap/Rake	300.11A
Roof Ridge	SIP Roof/Ridge Beam/Ridge Plates	300.21
	SIP Roof/Rafter/Ridge Plates	300.21A
	SIP Roof/Ridge Beam/Two Part Foam	300.22
	SIP Roof/Ridge Beam/Overlay	300.23
Roof Valley	SIP Roof/Valley Beam/Valley Plates	300.31
	SIP Roof/Valley Beam/Two Part Foam	300.32
Panel to Beam	SIP Joints/Beam/OSB Surface Spline	300.41
	SIP Joints/Beam/InsulSpline	300.41A
	SIP Panel/Intermediate Beam	300.42
Connection Details	SIP Joint/Single Lumber Spline	400.01
	SIP Joint/OSB Surface Spline	400.02
	SIP Joint/InsulSpline	400.03
	SIP Joint/Double Lumber Spline	400.04
	SIP Joint/Wood I-Joist Spline	400.05
	SIP Joint/Single 4x Lumber Spline	400.06
	SIP Wall End Connection Details	400.07
Opening Details	Opening/Lumber Header	400.11
	Opening/SIP Header	400.12
	Small Opening inside Panel	400.13



NOTES:

1. THE DETAIL IS TO BE USED WITH INSULSPAN CONSTRUCTION DRAWINGS AND INSTALLATION GUIDE. REFER TO INSULSPAN CONSTRUCTION DRAWINGS FOR FINAL NAIL AND SCREW SCHEDULES.
2. ALL BUILDING COMPONENTS USED IN CONJUNCTION WITH THIS DETAIL SHALL BE IN COMPLIANCE WITH LOCAL CODE REQUIREMENT.

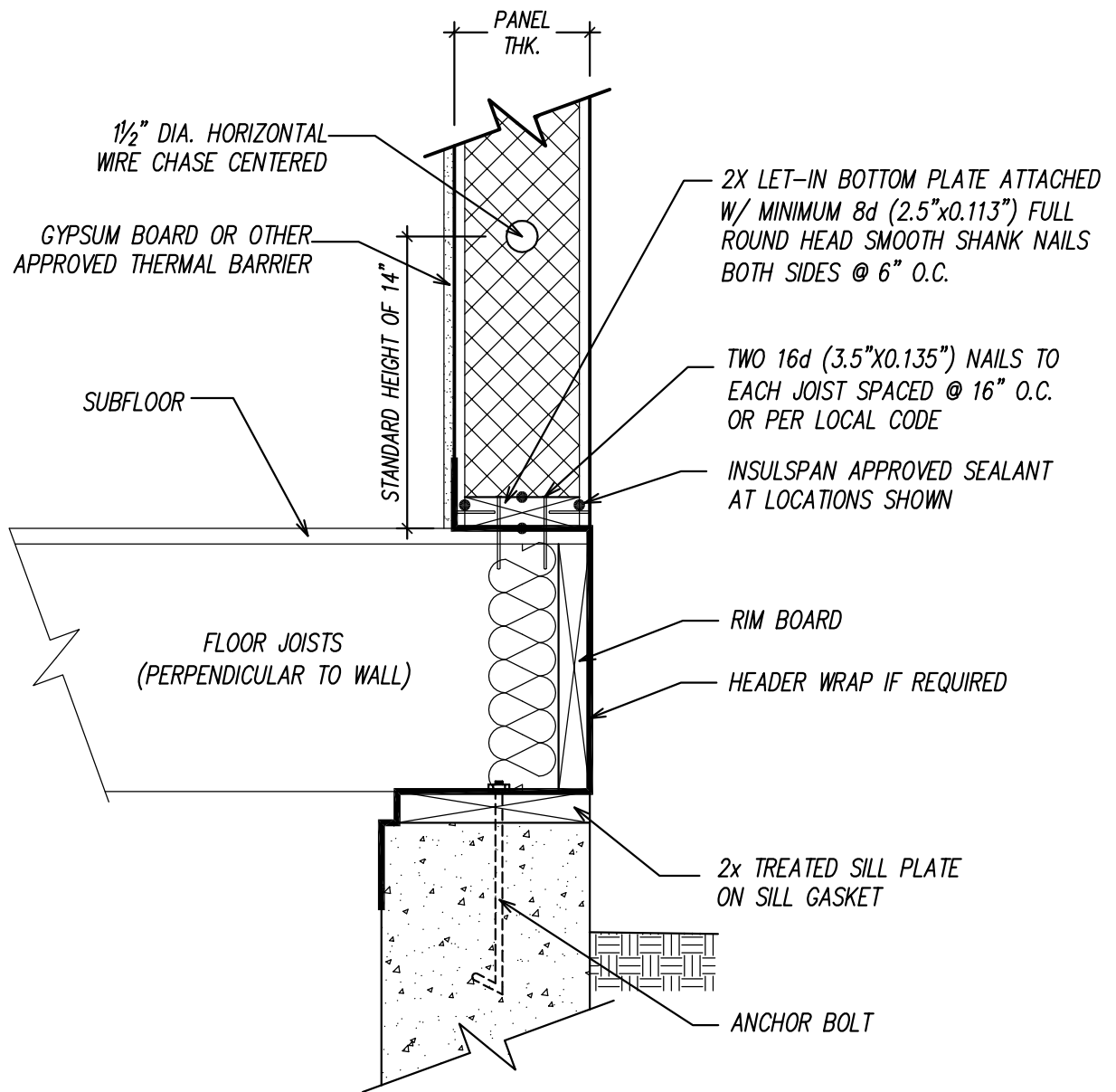
INSULSPAN[®]
STRUCTURAL INSULATING PANEL SYSTEM

SIP DROP WALL/DECK

SCALE:N.T.S.

LAST UPDATE: 30/11/2007

100.01



NOTES:

1. THE DETAIL IS TO BE USED WITH INSULSPAN CONSTRUCTION DRAWINGS AND INSTALLATION GUIDE. REFER TO INSULSPAN CONSTRUCTION DRAWINGS FOR FINAL NAIL AND SCREW SCHEDULES.
2. ALL BUILDING COMPONENTS USED IN CONJUNCTION WITH THIS DETAIL SHALL BE IN COMPLIANCE WITH LOCAL CODE REQUIREMENT.

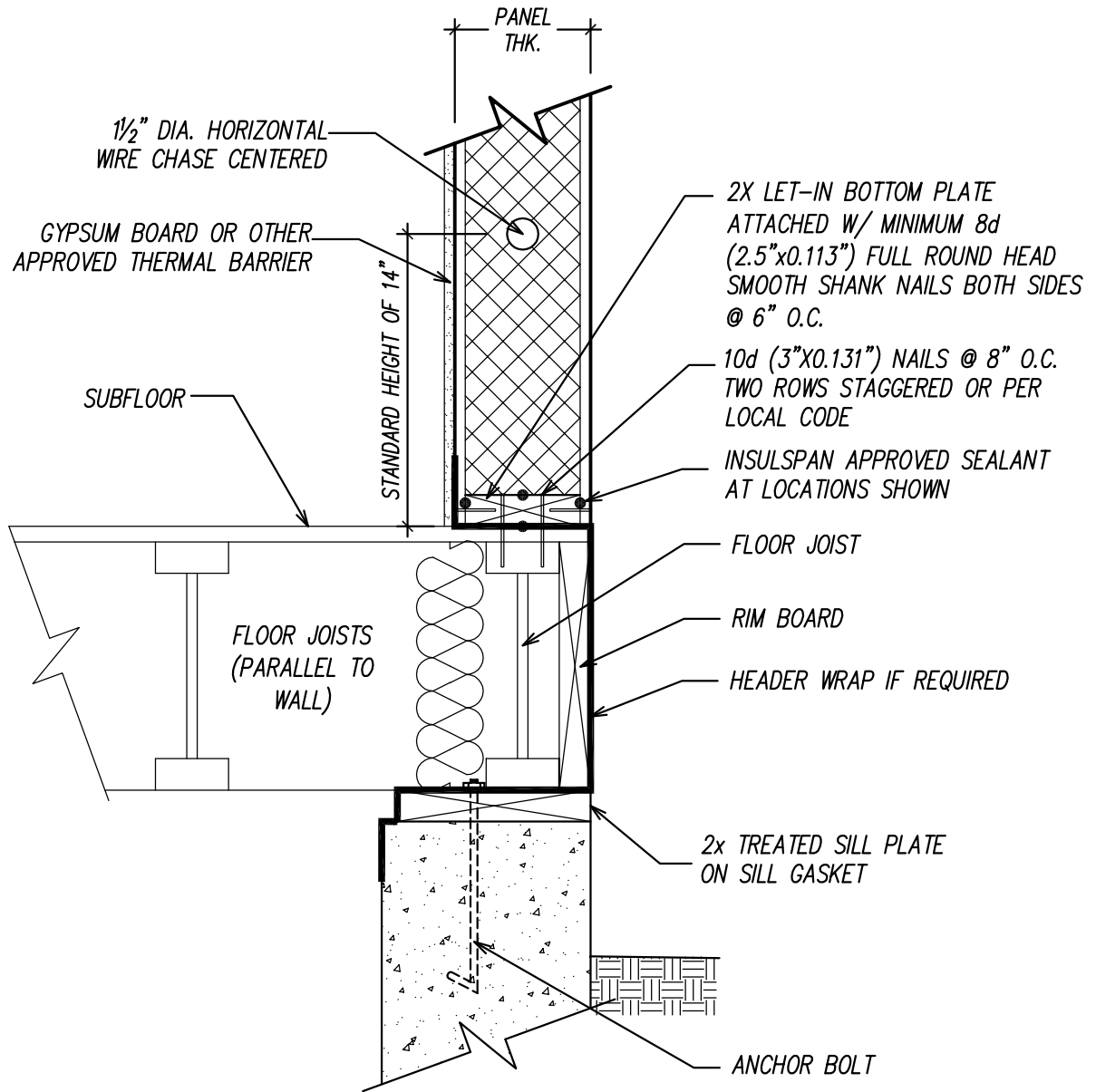


SIP WALL/DECK

SCALE: N.T.S.

LAST UPDATE: 30/11/2007

100.02



NOTES:

1. THE DETAIL IS TO BE USED WITH INSULSPAN CONSTRUCTION DRAWINGS AND INSTALLATION GUIDE. REFER TO INSULSPAN CONSTRUCTION DRAWINGS FOR FINAL NAIL AND SCREW SCHEDULES.
2. ALL BUILDING COMPONENTS USED IN CONJUNCTION WITH THIS DETAIL SHALL BE IN COMPLIANCE WITH LOCAL CODE REQUIREMENT.

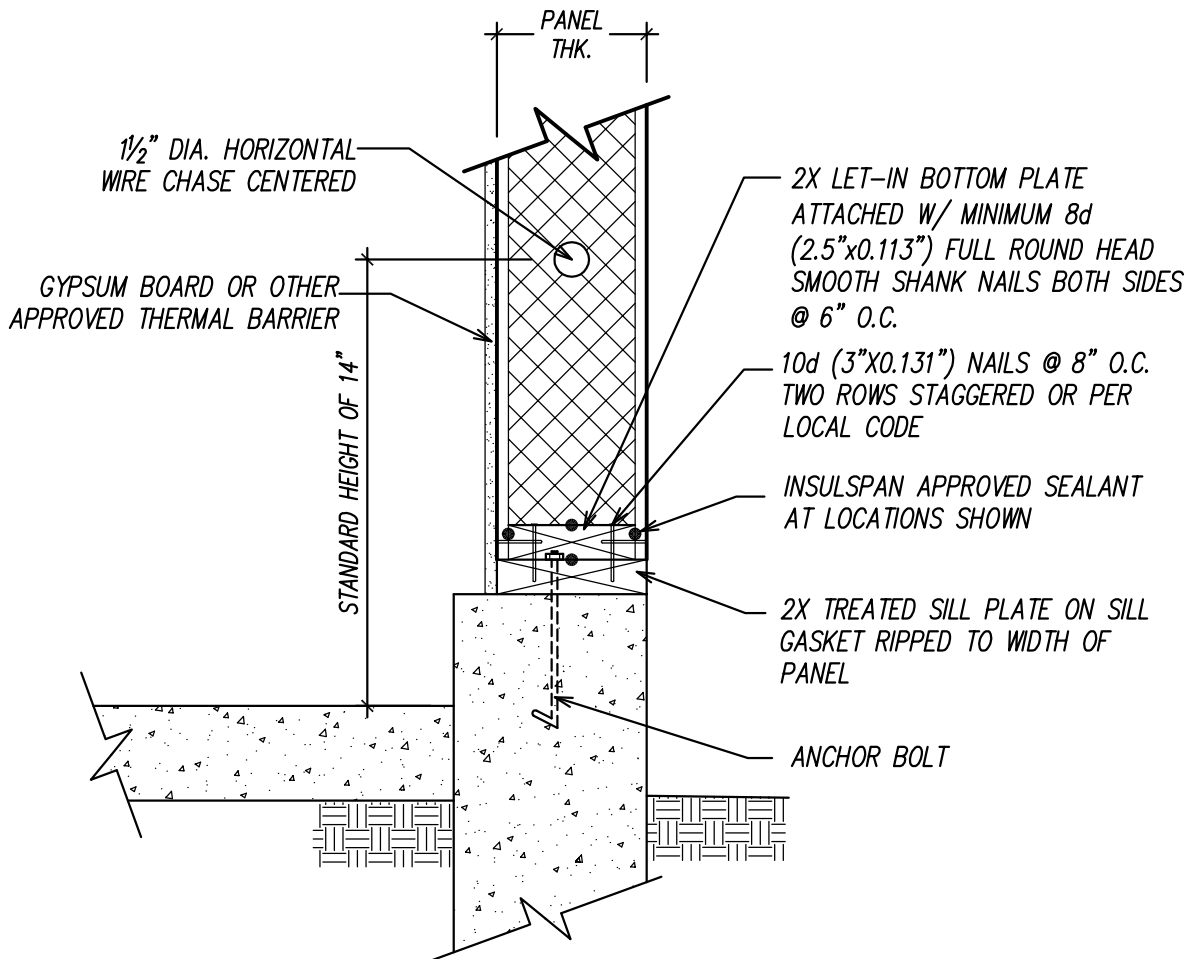


SIP WALL/DECK/JOIST PARALLEL

SCALE:N.T.S.

LAST UPDATE: 30/11/2007

100.02A



NOTES:

1. THE DETAIL IS TO BE USED WITH INSULSPAN CONSTRUCTION DRAWINGS AND INSTALLATION GUIDE. REFER TO INSULSPAN CONSTRUCTION DRAWINGS FOR FINAL NAIL AND SCREW SCHEDULES.
2. ALL BUILDING COMPONENTS USED IN CONJUNCTION WITH THIS DETAIL SHALL BE IN COMPLIANCE WITH LOCAL CODE REQUIREMENT.

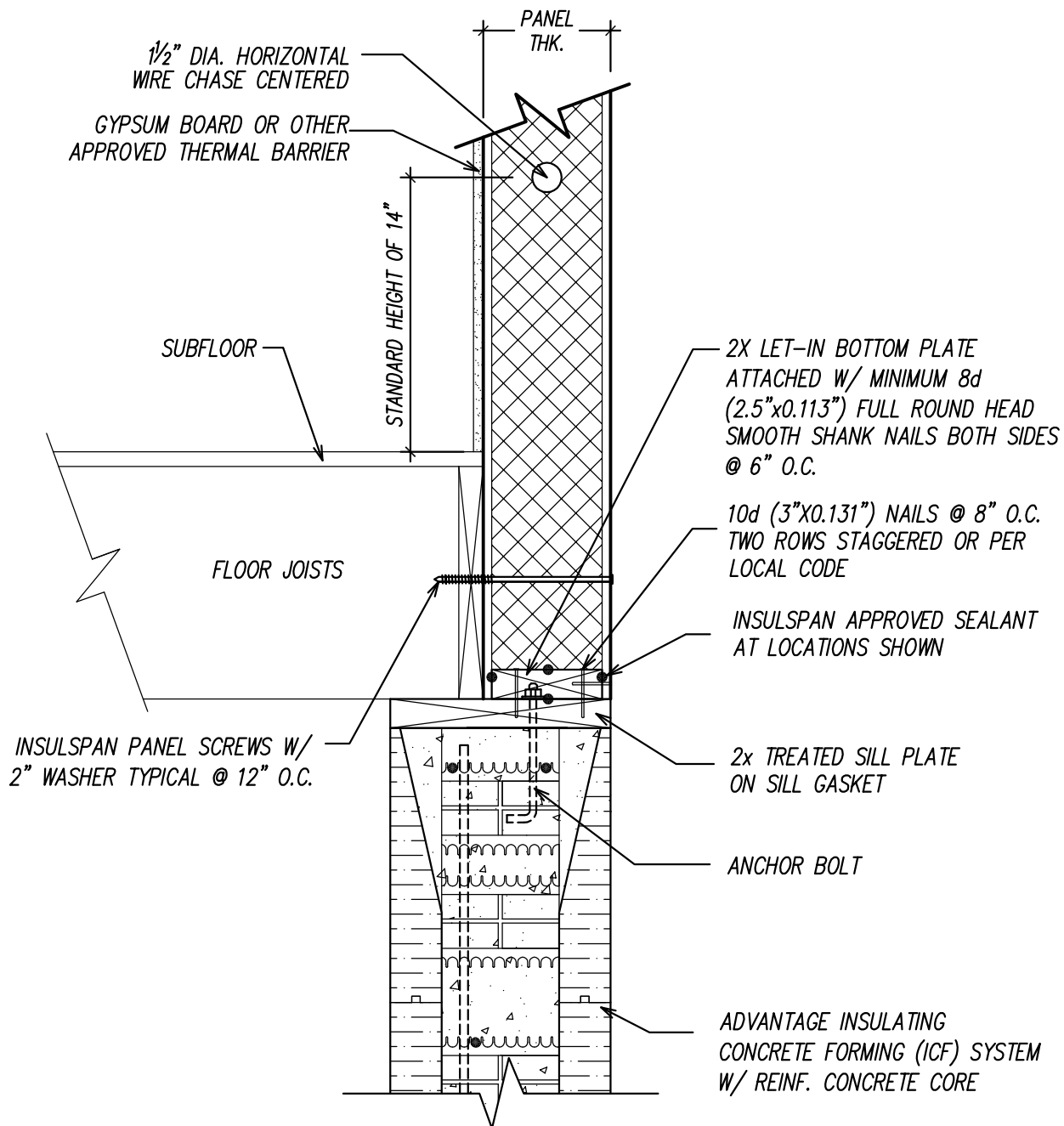


SIP WALL/SLAB

SCALE: N.T.S.

LAST UPDATE: 30/11/2007

100.03



NOTES:

1. THE DETAIL IS TO BE USED WITH INSULSPAN CONSTRUCTION DRAWINGS AND INSTALLATION GUIDE. REFER TO INSULSPAN CONSTRUCTION DRAWINGS FOR FINAL NAIL AND SCREW SCHEDULES.
2. ALL BUILDING COMPONENTS USED IN CONJUNCTION WITH THIS DETAIL SHALL BE IN COMPLIANCE WITH LOCAL CODE REQUIREMENT.

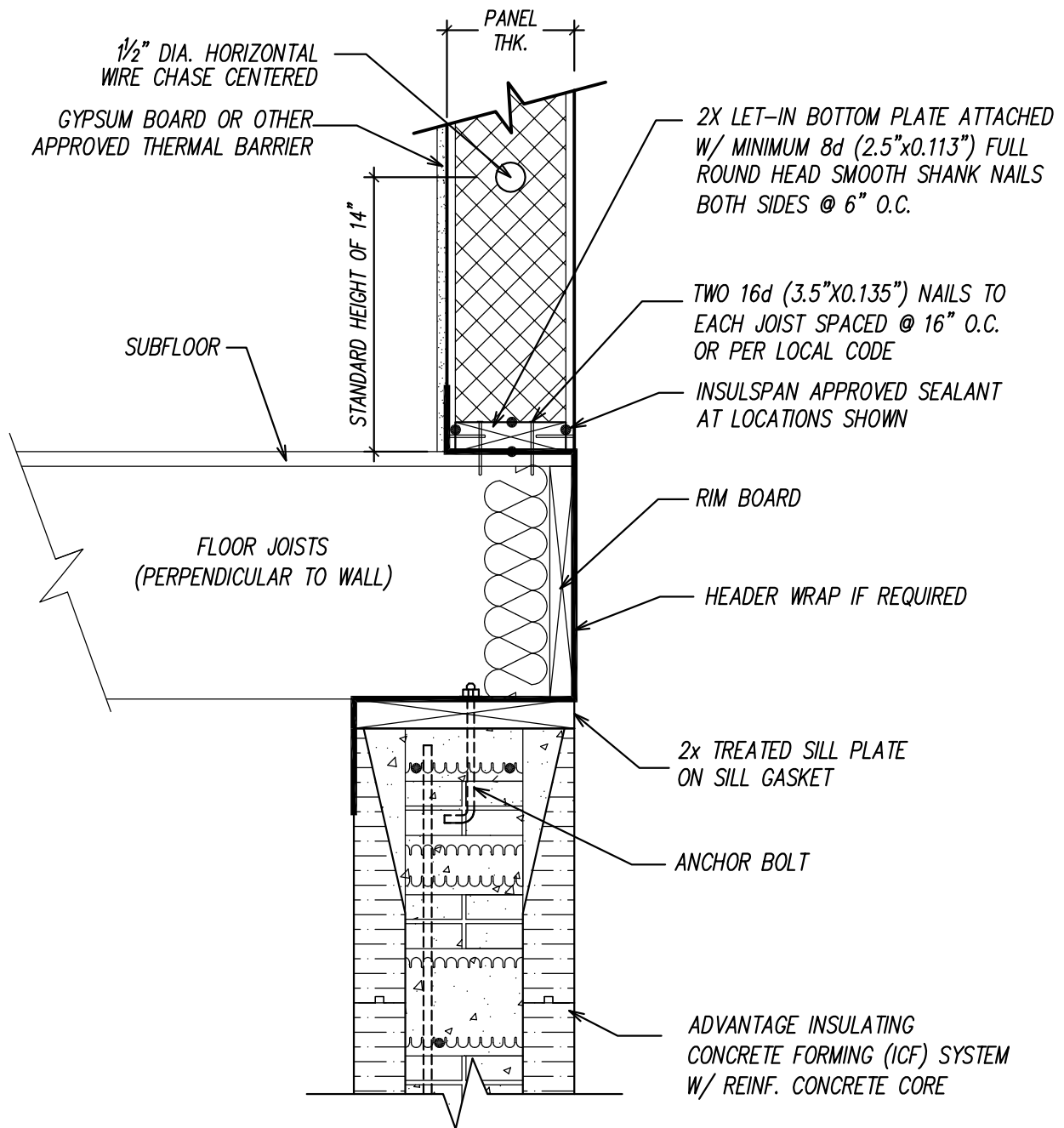
INSULSPAN[®]
 STRUCTURAL INSULATING PANEL SYSTEM

SIP DROP WALL/DECK/ICF

SCALE:N.T.S.

LAST UPDATE: 30/11/2007

100.04



NOTES:

1. THE DETAIL IS TO BE USED WITH INSULSPAN CONSTRUCTION DRAWINGS AND INSTALLATION GUIDE. REFER TO INSULSPAN CONSTRUCTION DRAWINGS FOR FINAL NAIL AND SCREW SCHEDULES.
2. ALL BUILDING COMPONENTS USED IN CONJUNCTION WITH THIS DETAIL SHALL BE IN COMPLIANCE WITH LOCAL CODE REQUIREMENT.

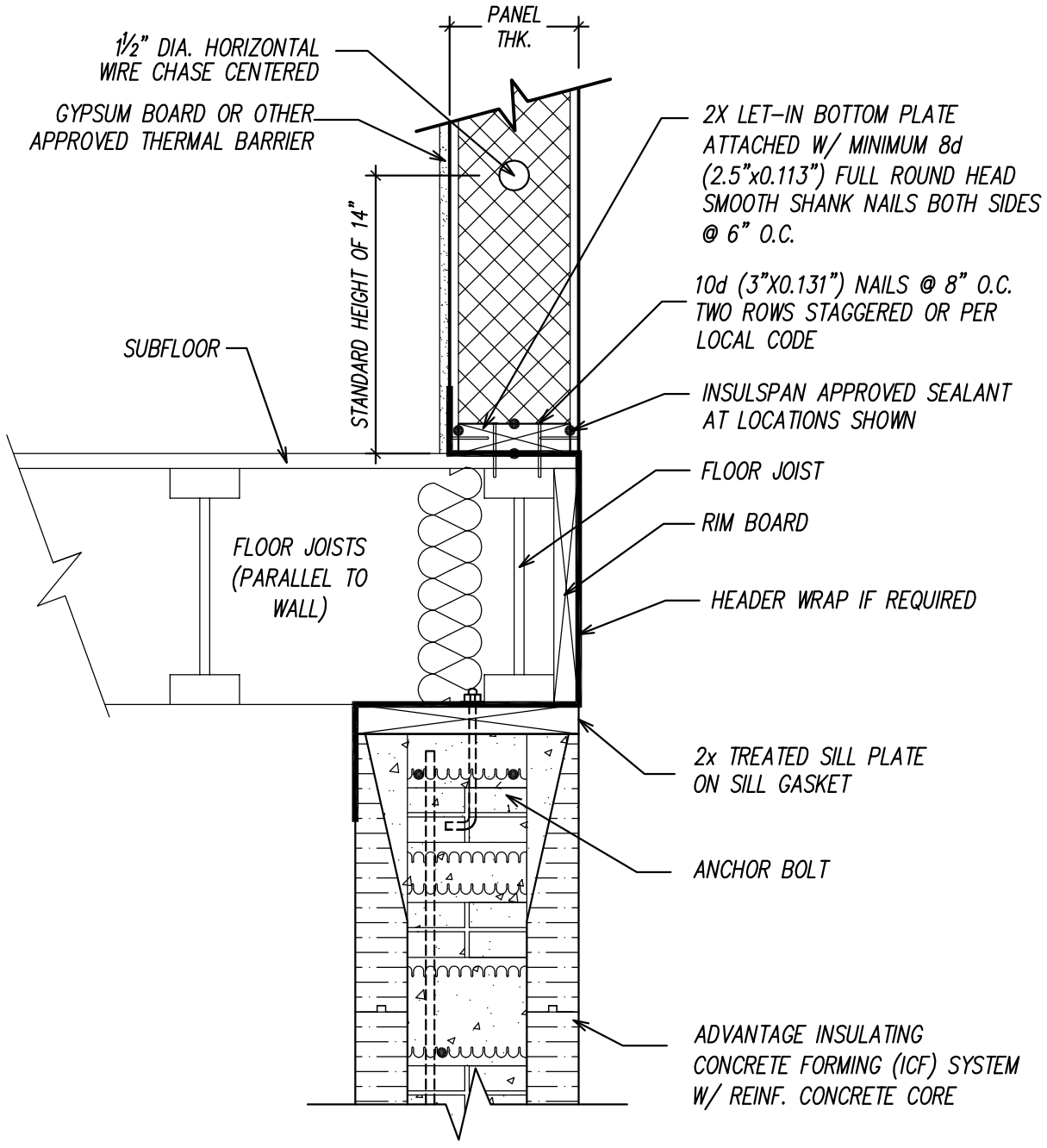


SIP WALL/DECK/ICF

SCALE:N.T.S.

LAST UPDATE: 30/11/2007

100.05



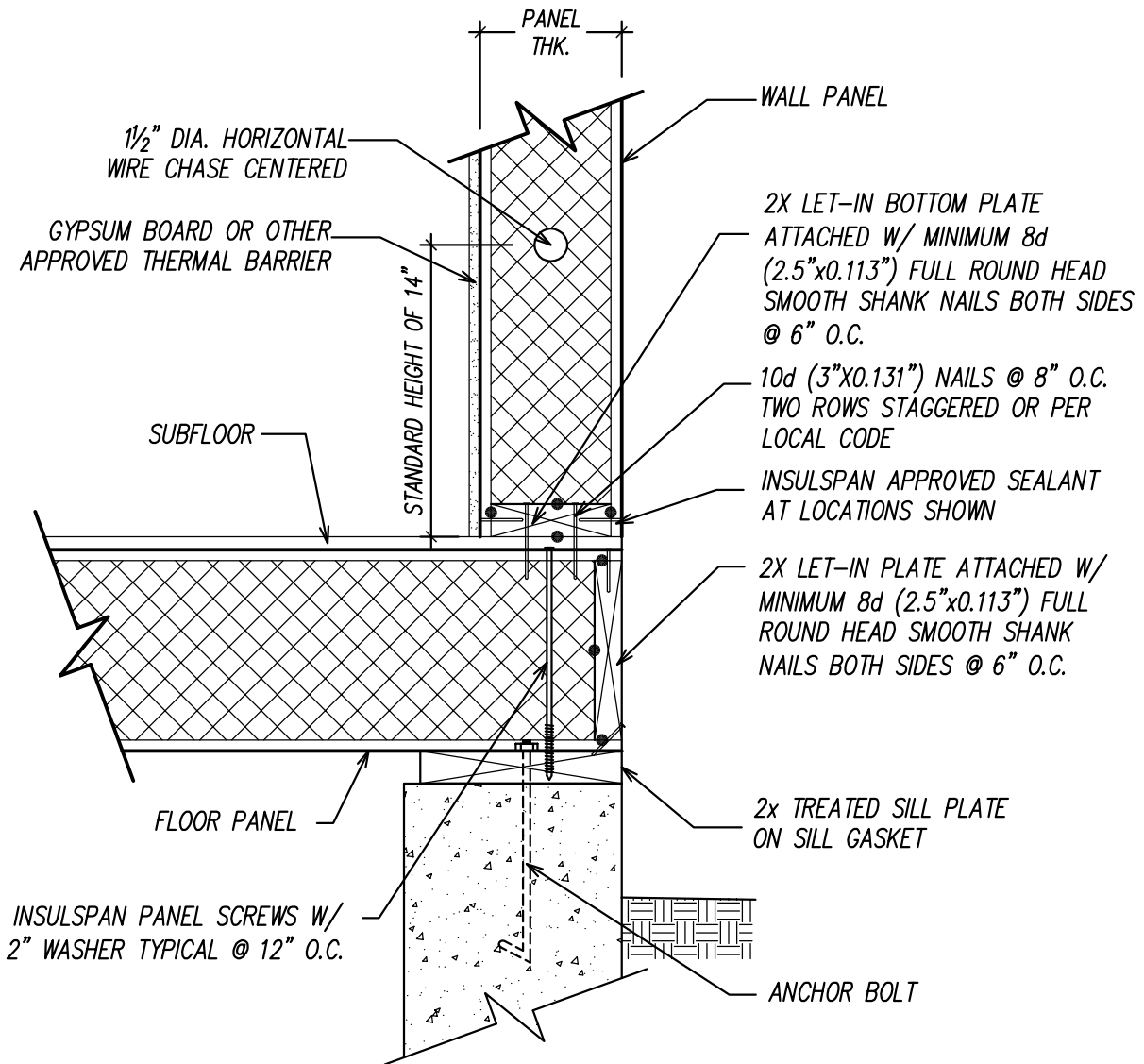
NOTES:

1. THE DETAIL IS TO BE USED WITH INSULSPAN CONSTRUCTION DRAWINGS AND INSTALLATION GUIDE. REFER TO INSULSPAN CONSTRUCTION DRAWINGS FOR FINAL NAIL AND SCREW SCHEDULES.
2. ALL BUILDING COMPONENTS USED IN CONJUNCTION WITH THIS DETAIL SHALL BE IN COMPLIANCE WITH LOCAL CODE REQUIREMENT.



SIP WALL/DECK/JOIST PARALLEL/ICF
SCALE:N.T.S.
LAST UPDATE: 30/11/2007

100.05A



NOTES:

1. THE DETAIL IS TO BE USED WITH INSULSPAN CONSTRUCTION DRAWINGS AND INSTALLATION GUIDE. REFER TO INSULSPAN CONSTRUCTION DRAWINGS FOR FINAL NAIL AND SCREW SCHEDULES.
2. ALL BUILDING COMPONENTS USED IN CONJUNCTION WITH THIS DETAIL SHALL BE IN COMPLIANCE WITH LOCAL CODE REQUIREMENT.

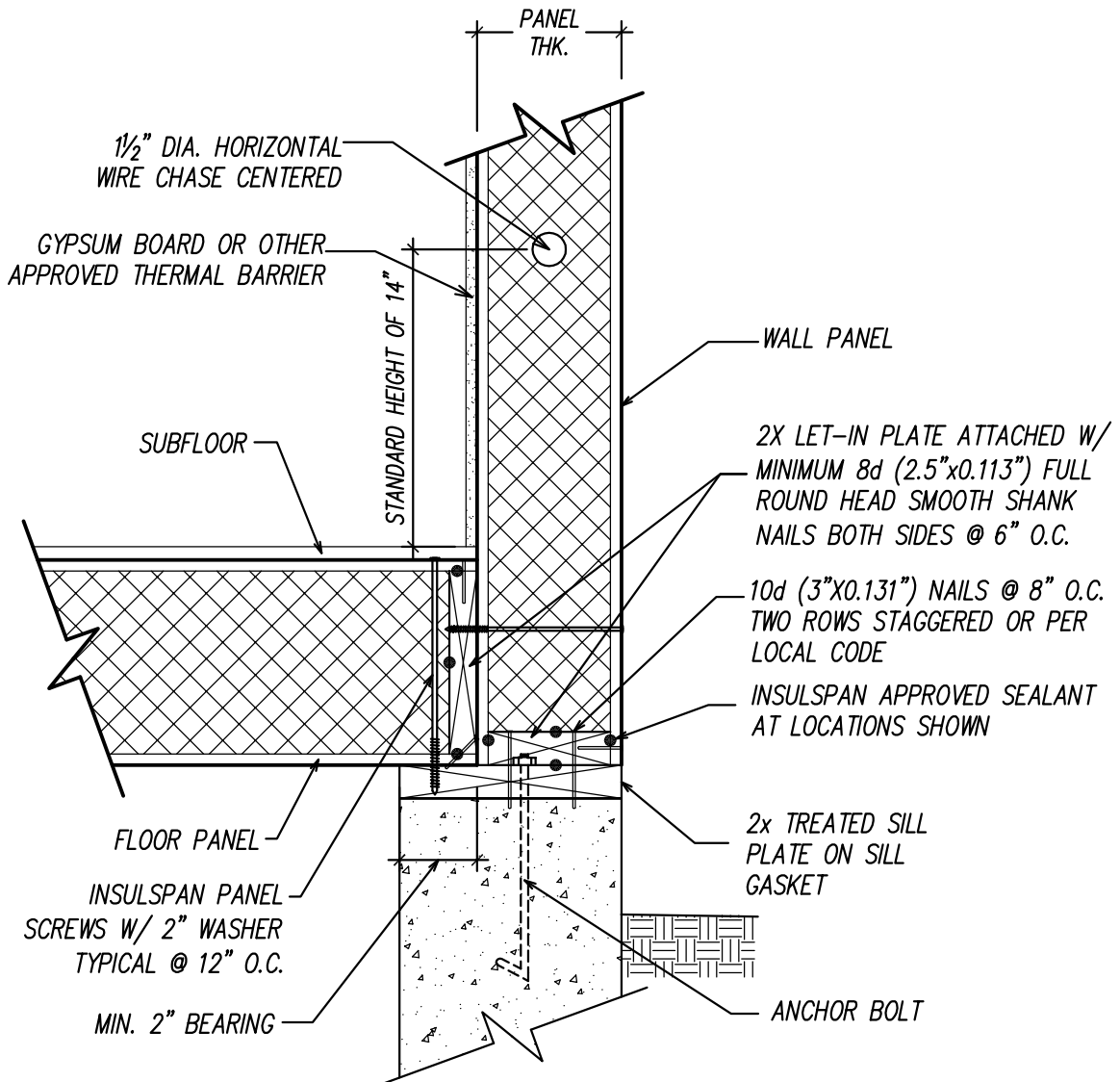
INSULSPAN[®]
 STRUCTURAL INSULATING PANEL SYSTEM

SIP WALL/SIP FLOOR

SCALE: N.T.S.

LAST UPDATE: 30/11/2007

100.06



NOTES:

1. THE DETAIL IS TO BE USED WITH INSULSPAN CONSTRUCTION DRAWINGS AND INSTALLATION GUIDE. REFER TO INSULSPAN CONSTRUCTION DRAWINGS FOR FINAL NAIL AND SCREW SCHEDULES.
2. ALL BUILDING COMPONENTS USED IN CONJUNCTION WITH THIS DETAIL SHALL BE IN COMPLIANCE WITH LOCAL CODE REQUIREMENT.

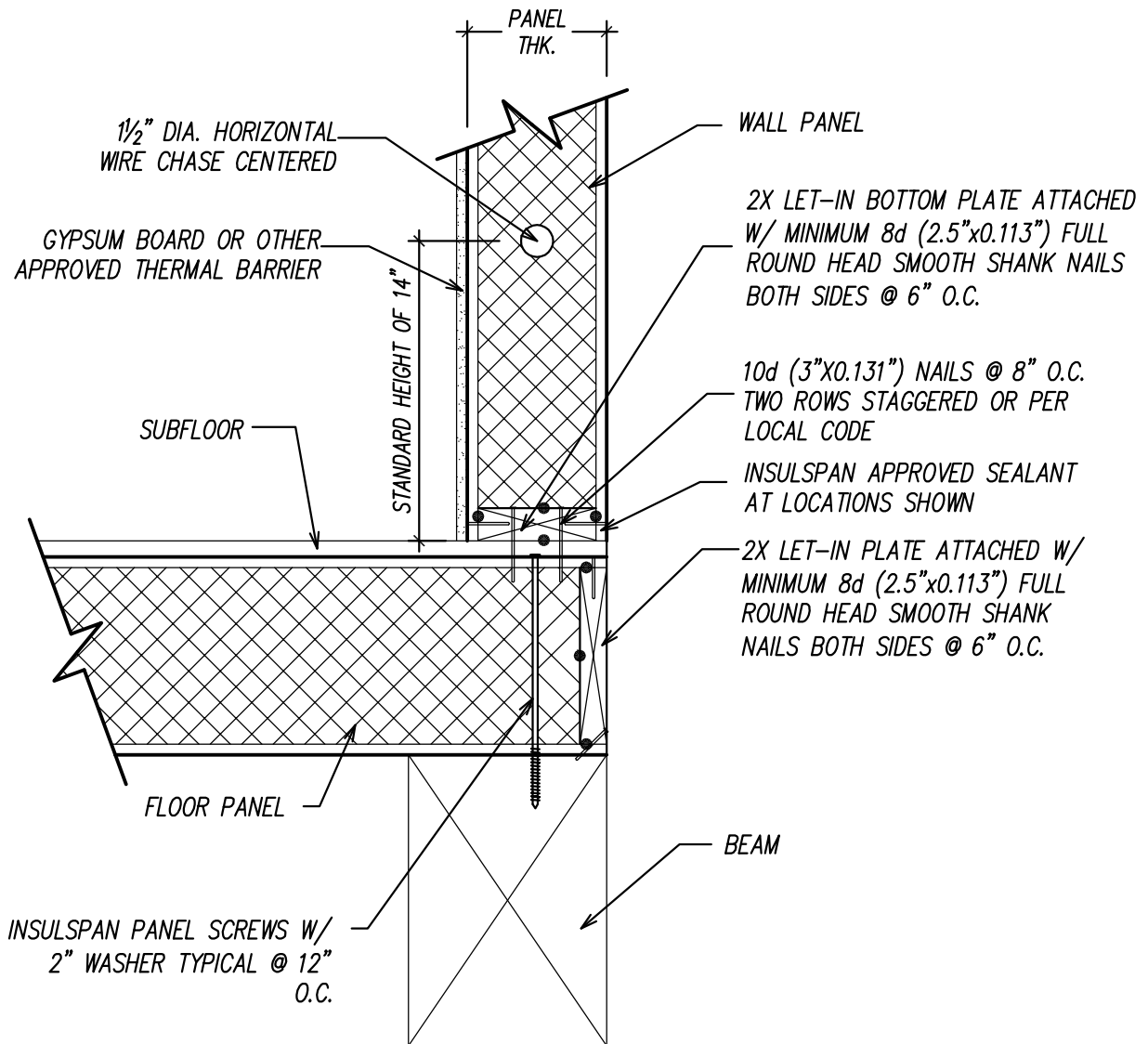
INSULSPAN[®]
 STRUCTURAL INSULATING PANEL SYSTEM

SIP DROP WALL/SIP FLOOR

SCALE: N.T.S.

LAST UPDATE: 30/11/2007

100.06A



NOTES:

1. THE DETAIL IS TO BE USED WITH INSULSPAN CONSTRUCTION DRAWINGS AND INSTALLATION GUIDE. REFER TO INSULSPAN CONSTRUCTION DRAWINGS FOR FINAL NAIL AND SCREW SCHEDULES.
2. ALL BUILDING COMPONENTS USED IN CONJUNCTION WITH THIS DETAIL SHALL BE IN COMPLIANCE WITH LOCAL CODE REQUIREMENT.

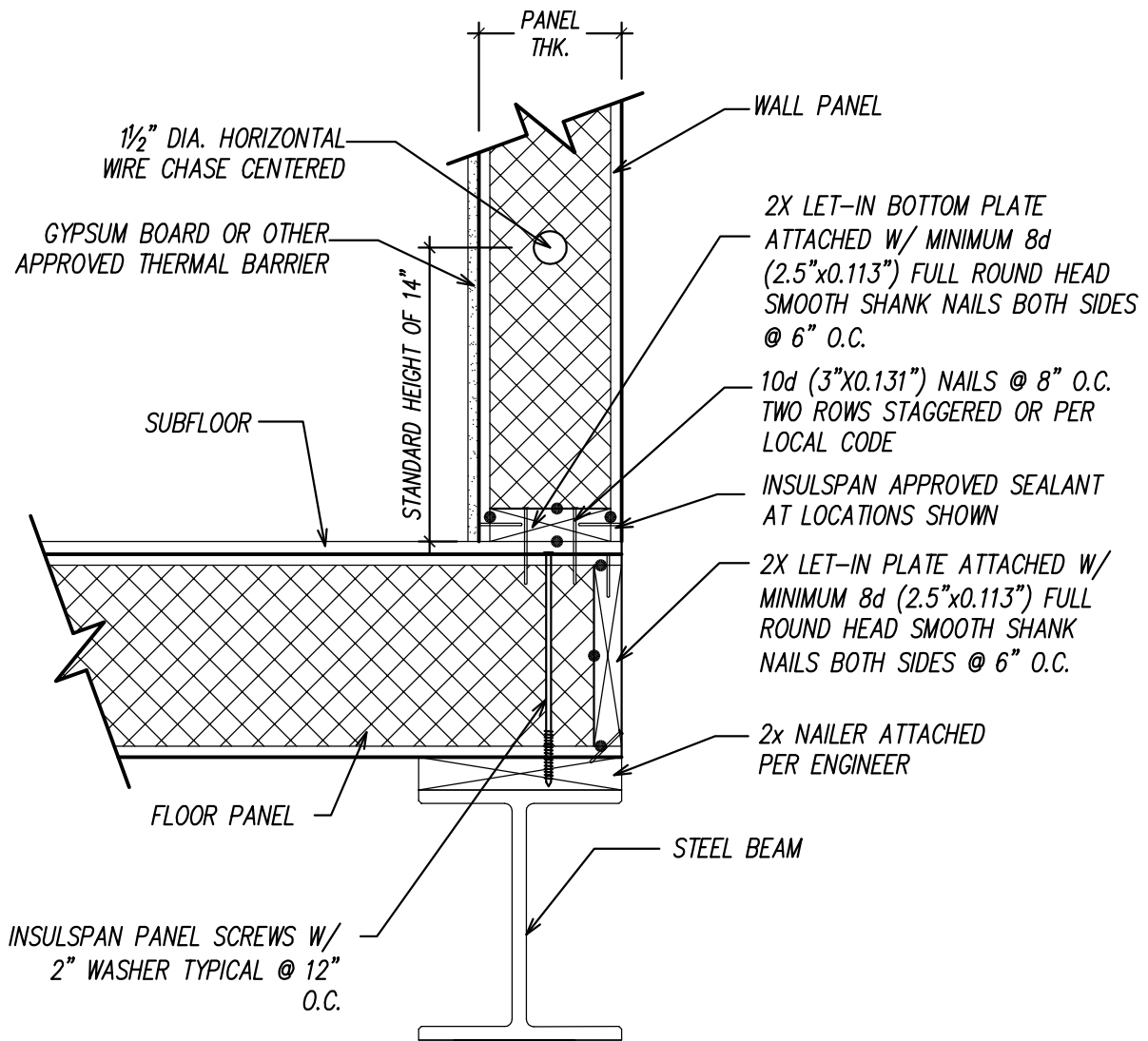
INSULSPAN[®]
STRUCTURAL INSULATING PANEL SYSTEM

SIP WALL/SIP FLOOR/BEAM

SCALE:N.T.S.

LAST UPDATE: 30/11/2007

100.07



NOTES:

1. THE DETAIL IS TO BE USED WITH INSULSPAN CONSTRUCTION DRAWINGS AND INSTALLATION GUIDE. REFER TO INSULSPAN CONSTRUCTION DRAWINGS FOR FINAL NAIL AND SCREW SCHEDULES.
2. ALL BUILDING COMPONENTS USED IN CONJUNCTION WITH THIS DETAIL SHALL BE IN COMPLIANCE WITH LOCAL CODE REQUIREMENT.

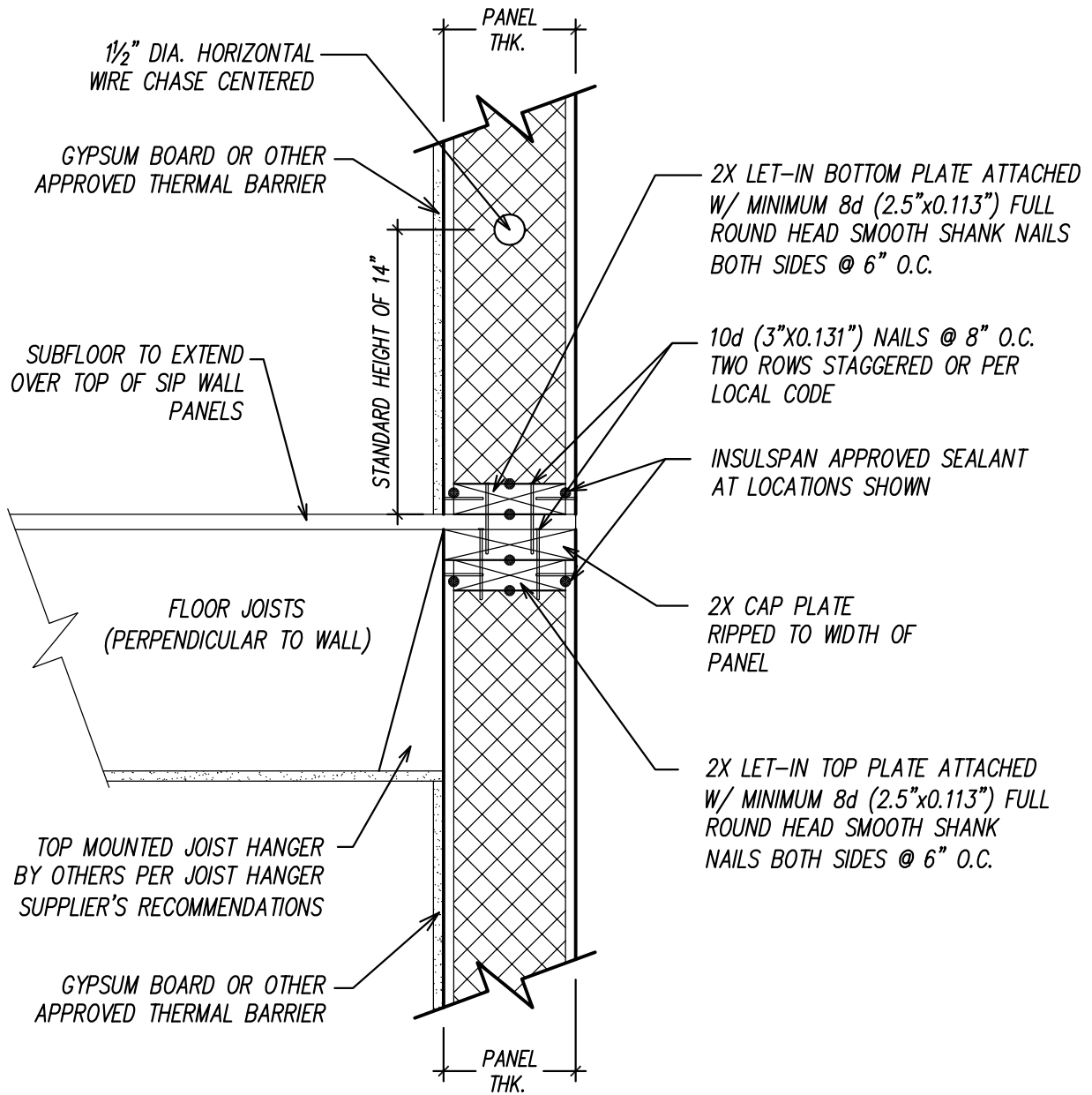


SIP WALL/SIP FLOOR/STEEL BEAM

SCALE:N.T.S.

LAST UPDATE: 30/11/2007

100.07A



NOTES:

1. THE DETAIL IS TO BE USED WITH INSULSPAN CONSTRUCTION DRAWINGS AND INSTALLATION GUIDE. REFER TO INSULSPAN CONSTRUCTION DRAWINGS FOR FINAL NAIL AND SCREW SCHEDULES.
2. ALL BUILDING COMPONENTS USED IN CONJUNCTION WITH THIS DETAIL SHALL BE IN COMPLIANCE WITH LOCAL CODE REQUIREMENT.

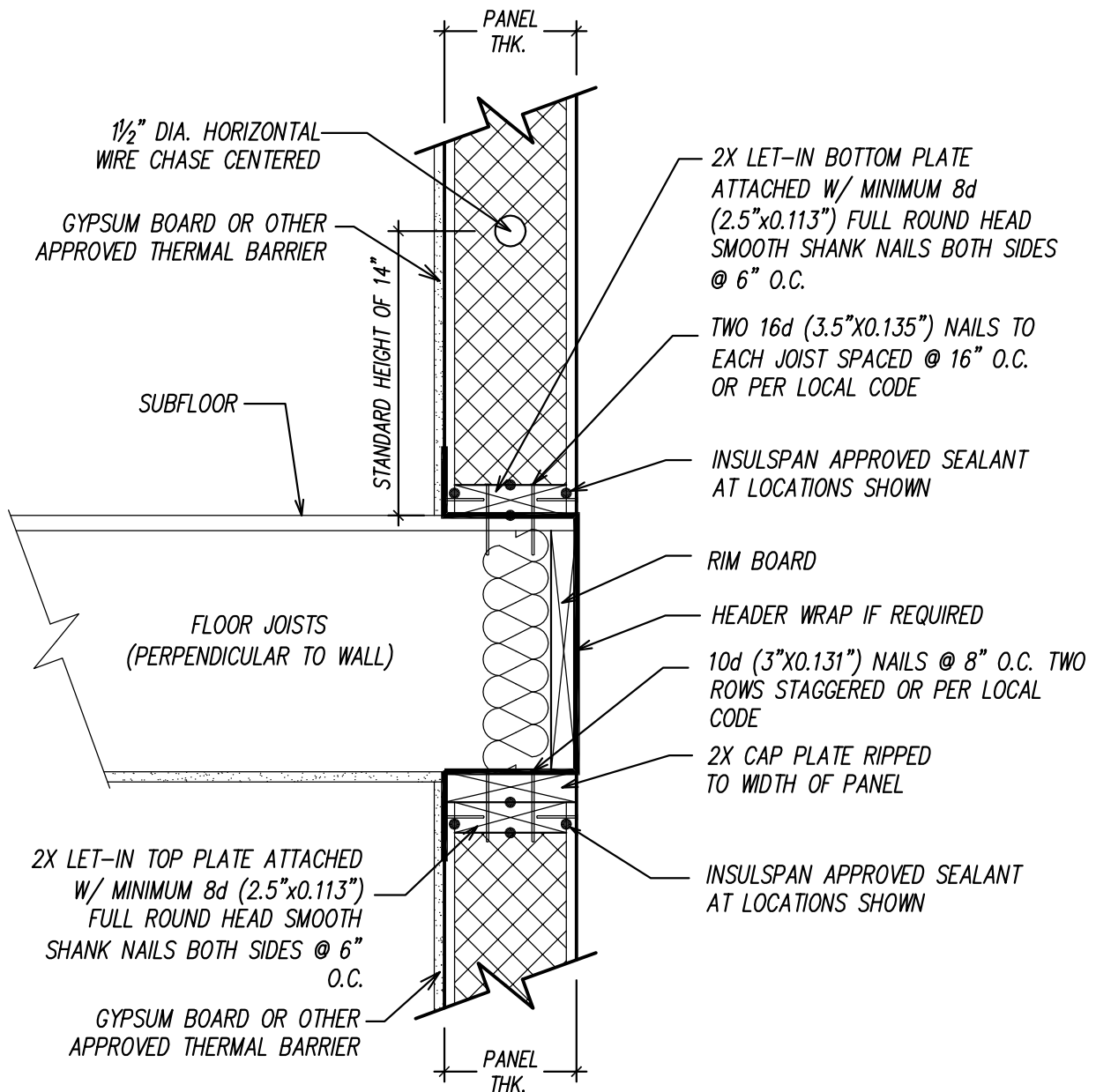


SIP WALL/FLOOR/JOIST HANGER

SCALE: N.T.S.

LAST UPDATE: 30/11/2007

200.01



NOTES:

1. THE DETAIL IS TO BE USED WITH INSULSPAN CONSTRUCTION DRAWINGS AND INSTALLATION GUIDE. REFER TO INSULSPAN CONSTRUCTION DRAWINGS FOR FINAL NAIL AND SCREW SCHEDULES.
2. ALL BUILDING COMPONENTS USED IN CONJUNCTION WITH THIS DETAIL SHALL BE IN COMPLIANCE WITH LOCAL CODE REQUIREMENT.

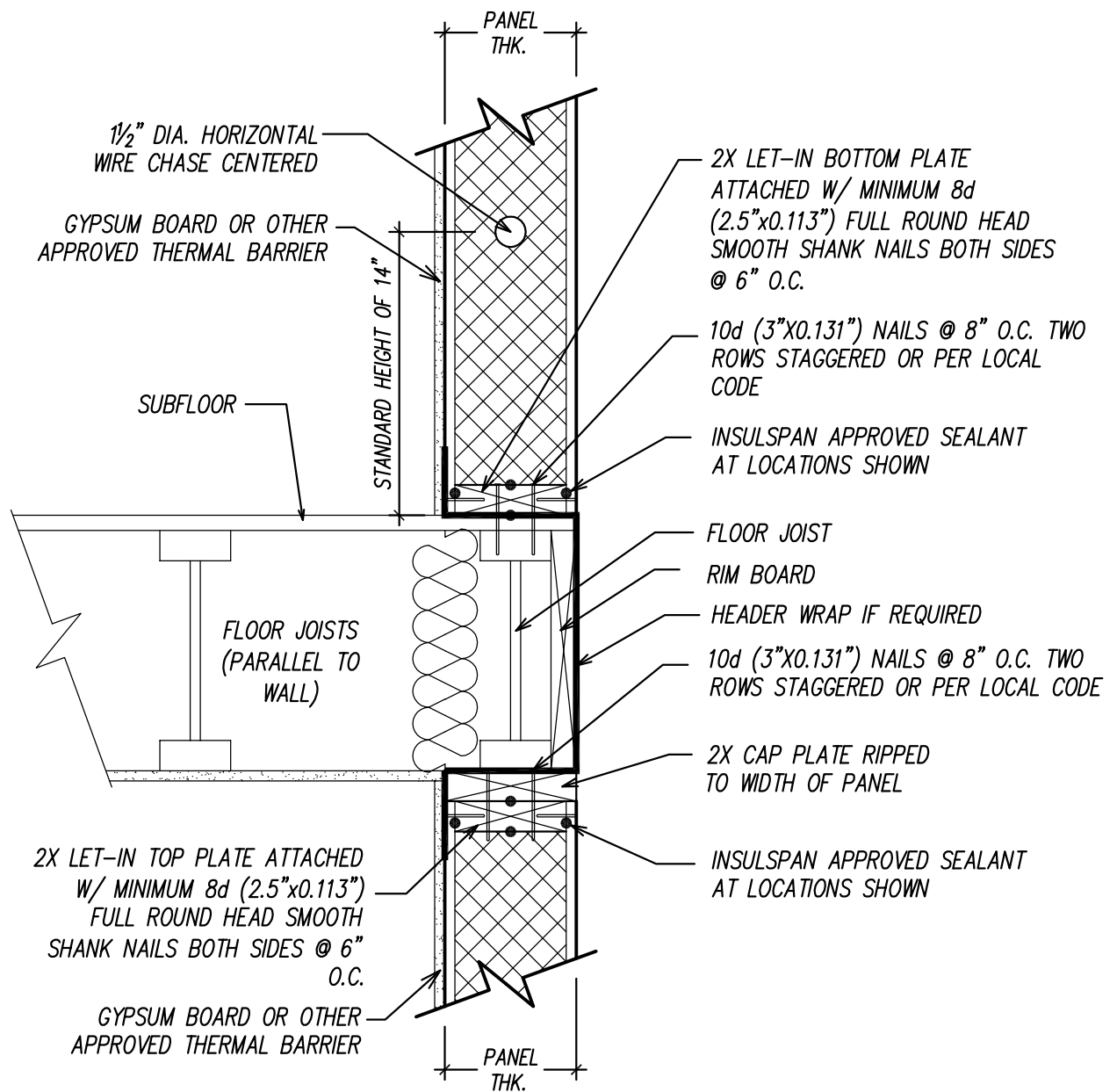


SIP WALL/FLOOR/JOIST PERPENDICULAR

SCALE:N.T.S.

LAST UPDATE: 30/11/2007

200.02



NOTES:

1. THE DETAIL IS TO BE USED WITH INSULSPAN CONSTRUCTION DRAWINGS AND INSTALLATION GUIDE. REFER TO INSULSPAN CONSTRUCTION DRAWINGS FOR FINAL NAIL AND SCREW SCHEDULES.
2. ALL BUILDING COMPONENTS USED IN CONJUNCTION WITH THIS DETAIL SHALL BE IN COMPLIANCE WITH LOCAL CODE REQUIREMENT.

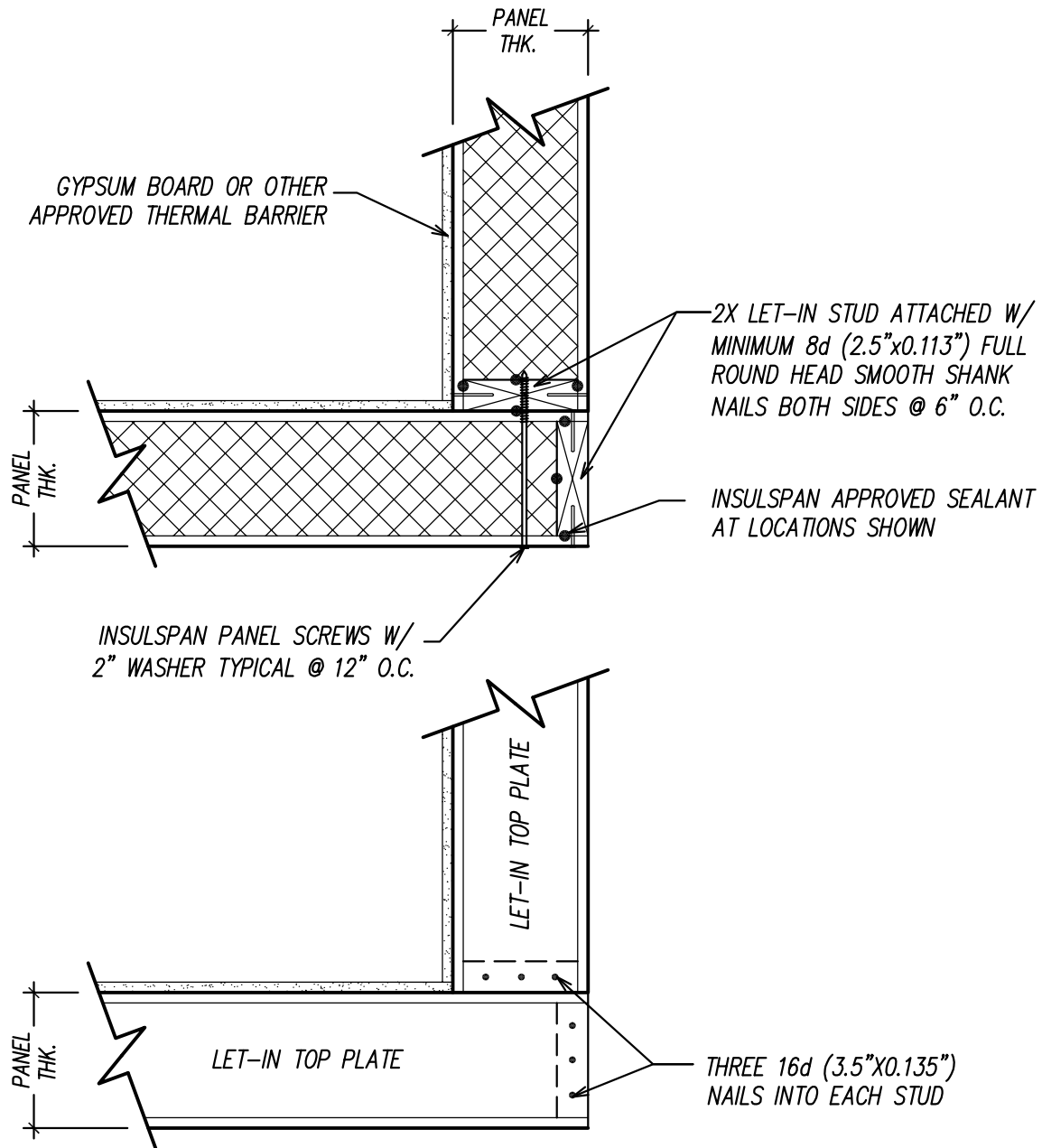


SIP WALL/FLOOR/JOIST PARALLEL

SCALE:N.T.S.

LAST UPDATE: 30/11/2007

200.02A



NOTES:

1. THE DETAIL IS TO BE USED WITH INSULSPAN CONSTRUCTION DRAWINGS AND INSTALLATION GUIDE. REFER TO INSULSPAN CONSTRUCTION DRAWINGS FOR FINAL NAIL AND SCREW SCHEDULES.
2. ALL BUILDING COMPONENTS USED IN CONJUNCTION WITH THIS DETAIL SHALL BE IN COMPLIANCE WITH LOCAL CODE REQUIREMENT.

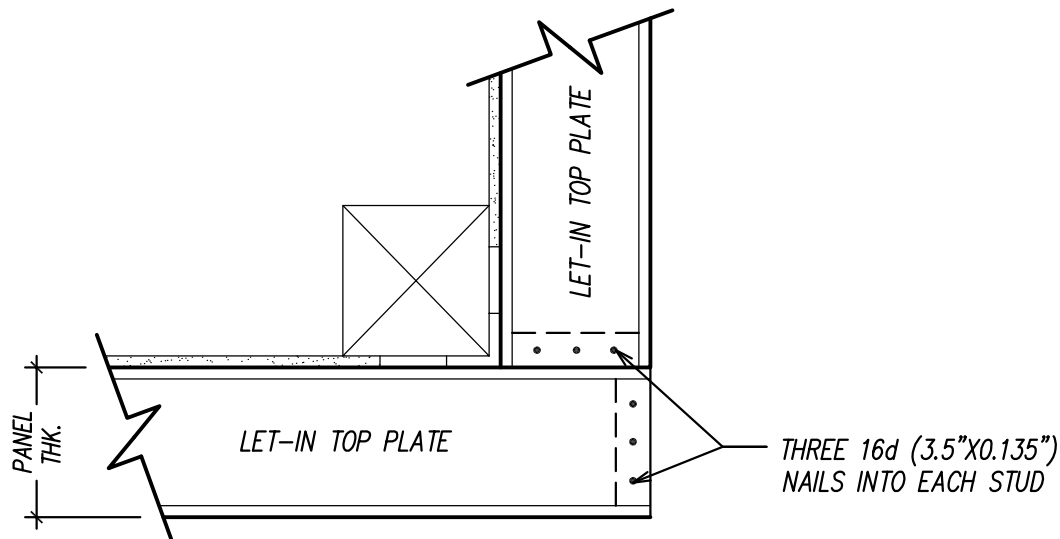
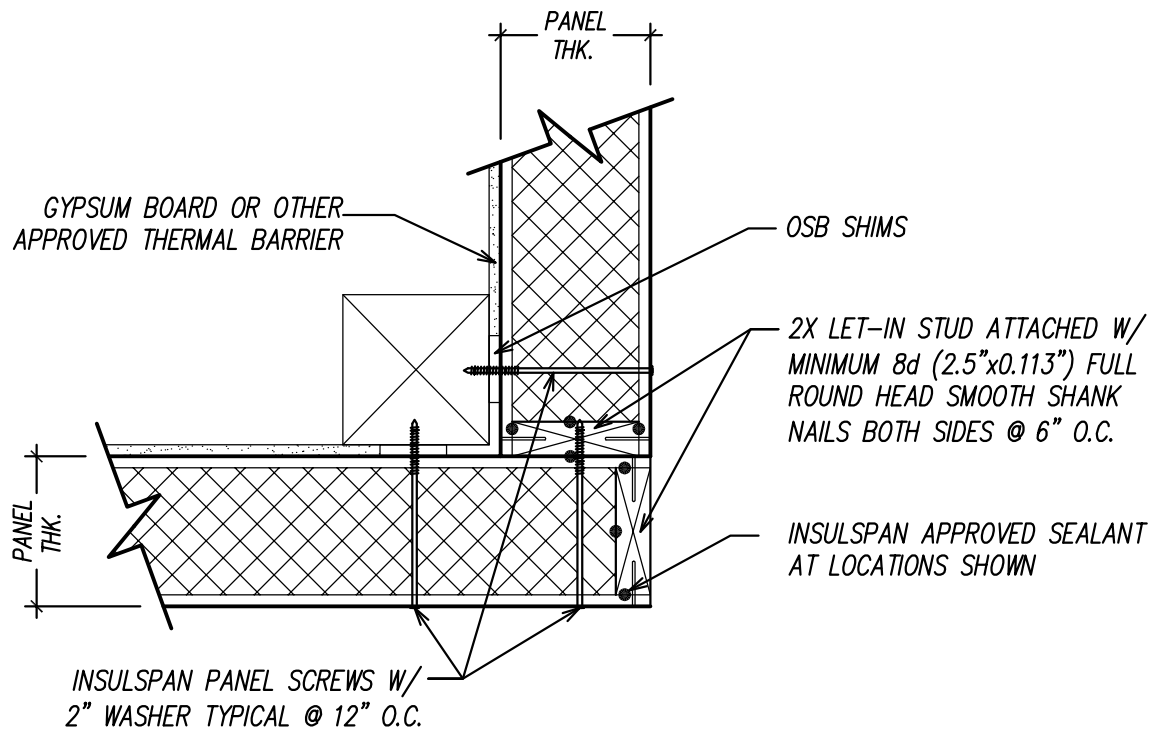
INSULSPAN[®]
STRUCTURAL INSULATING PANEL SYSTEM

SIP WALL CORNER

SCALE: N.T.S.

LAST UPDATE: 30/11/2007

200.03



NOTES:

1. THE DETAIL IS TO BE USED WITH INSULSPAN CONSTRUCTION DRAWINGS AND INSTALLATION GUIDE. REFER TO INSULSPAN CONSTRUCTION DRAWINGS FOR FINAL NAIL AND SCREW SCHEDULES.
2. ALL BUILDING COMPONENTS USED IN CONJUNCTION WITH THIS DETAIL SHALL BE IN COMPLIANCE WITH LOCAL CODE REQUIREMENT.

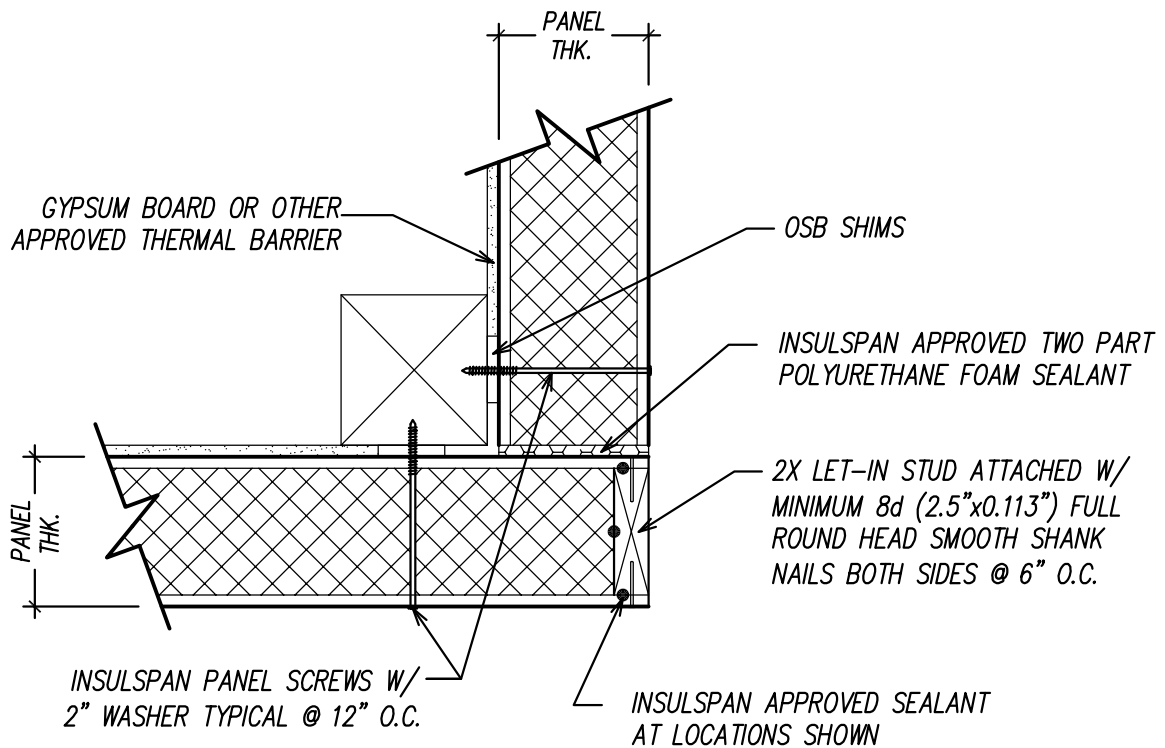
INSULSPAN[®]
STRUCTURAL INSULATING PANEL SYSTEM

SIP WALL CORNER/TIMBER FRAME

SCALE:N.T.S.

LAST UPDATE: 30/11/2007

200.04



NOTES:

1. THE DETAIL IS TO BE USED WITH INSULSPAN CONSTRUCTION DRAWINGS AND INSTALLATION GUIDE. REFER TO INSULSPAN CONSTRUCTION DRAWINGS FOR FINAL NAIL AND SCREW SCHEDULES.
2. ALL BUILDING COMPONENTS USED IN CONJUNCTION WITH THIS DETAIL SHALL BE IN COMPLIANCE WITH LOCAL CODE REQUIREMENT.

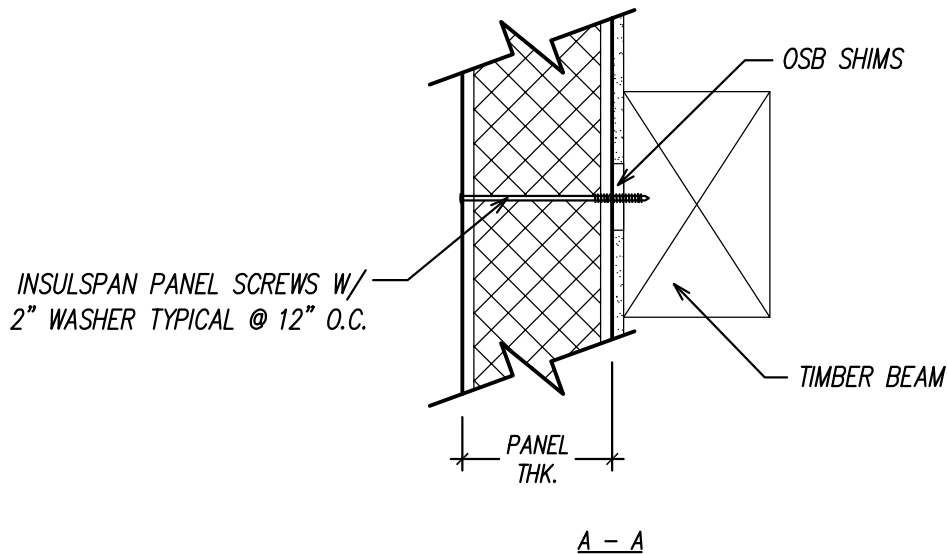
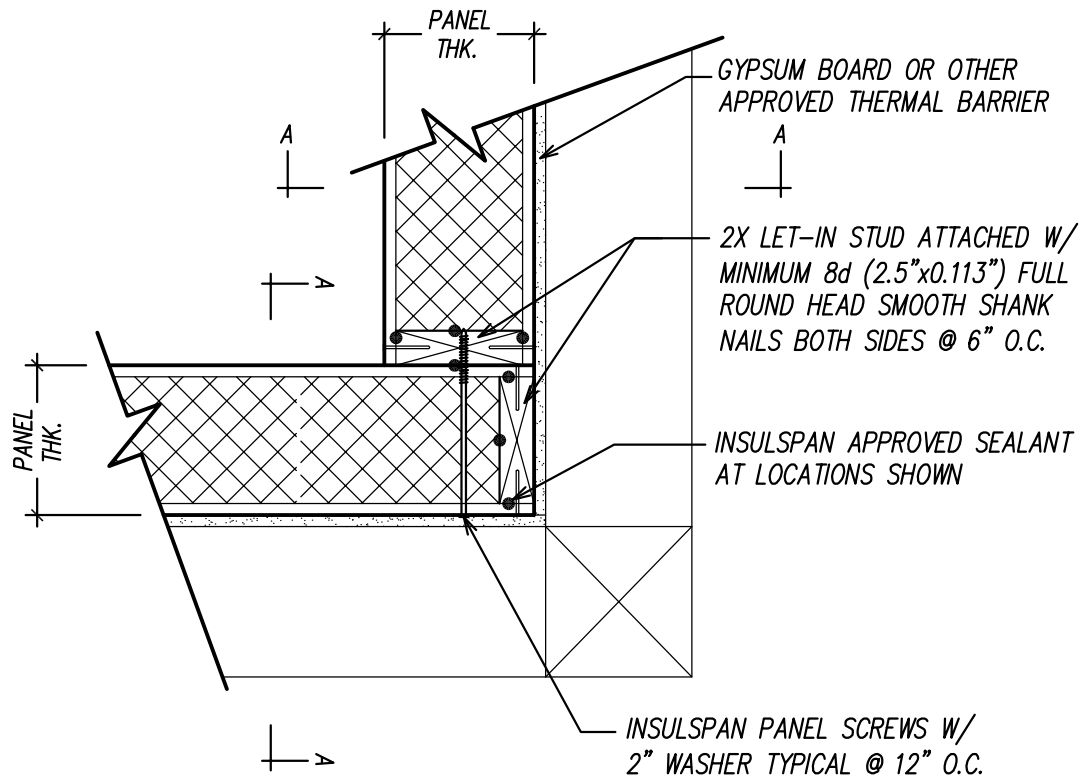
INSULSPAN[®]
STRUCTURAL INSULATING PANEL SYSTEM

SIP WALL CORNER/TIMBER FRAME/FOAM GAP

SCALE:N.T.S.

LAST UPDATE: 30/11/2007

200.04A



NOTES:

1. THE DETAIL IS TO BE USED WITH INSULSPAN CONSTRUCTION DRAWINGS AND INSTALLATION GUIDE. REFER TO INSULSPAN CONSTRUCTION DRAWINGS FOR FINAL NAIL AND SCREW SCHEDULES.
2. ALL BUILDING COMPONENTS USED IN CONJUNCTION WITH THIS DETAIL SHALL BE IN COMPLIANCE WITH LOCAL CODE REQUIREMENT.

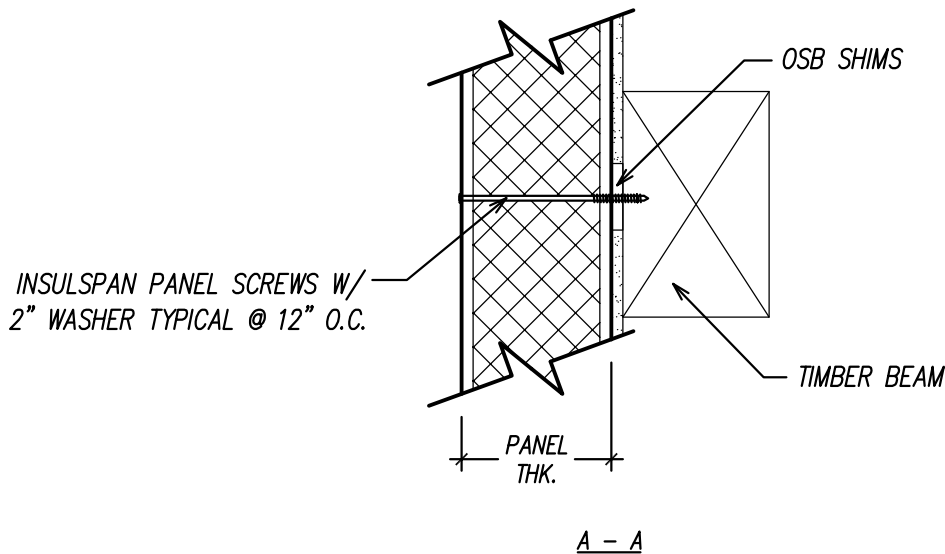
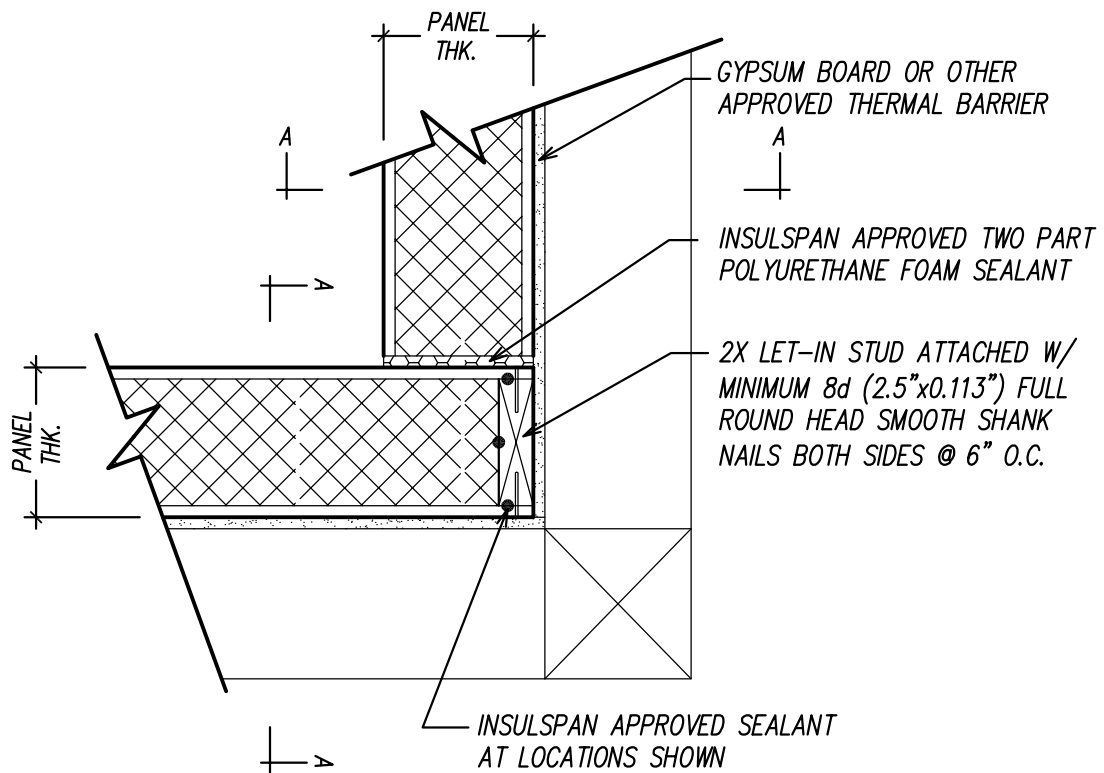
INSULSPAN[®]
STRUCTURAL INSULATING PANEL SYSTEM

SIP WALL INSIDE CORNER/TIMBER FRAME

SCALE: N.T.S.

LAST UPDATE: 30/11/2007

200.05



NOTES:

1. THE DETAIL IS TO BE USED WITH INSULSPAN CONSTRUCTION DRAWINGS AND INSTALLATION GUIDE. REFER TO INSULSPAN CONSTRUCTION DRAWINGS FOR FINAL NAIL AND SCREW SCHEDULES.
2. ALL BUILDING COMPONENTS USED IN CONJUNCTION WITH THIS DETAIL SHALL BE IN COMPLIANCE WITH LOCAL CODE REQUIREMENT.

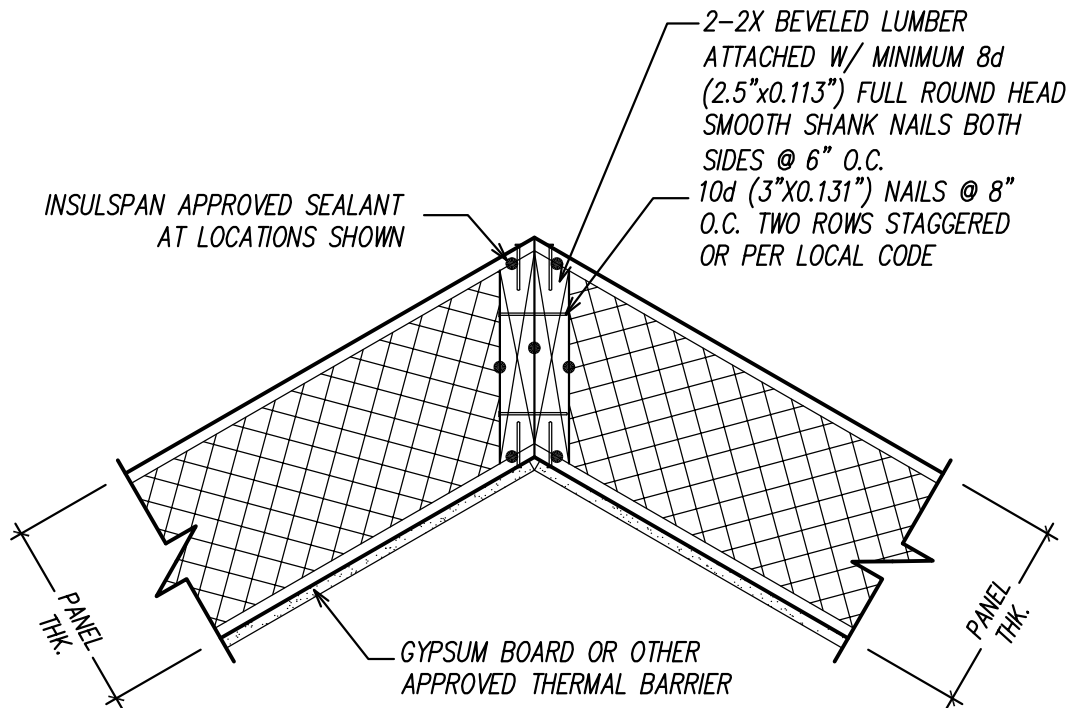
INSULSPAN[®]
STRUCTURAL INSULATING PANEL SYSTEM

SIP WALL INSIDE CORNER/TIMBER FRAME/FOAM GAP

SCALE:N.T.S.

LAST UPDATE: 30/11/2007

200.05A



NOTES:

1. THE DETAIL IS TO BE USED WITH INSULSPAN CONSTRUCTION DRAWINGS AND INSTALLATION GUIDE. REFER TO INSULSPAN CONSTRUCTION DRAWINGS FOR FINAL NAIL AND SCREW SCHEDULES.
2. ALL BUILDING COMPONENTS USED IN CONJUNCTION WITH THIS DETAIL SHALL BE IN COMPLIANCE WITH LOCAL CODE REQUIREMENT.

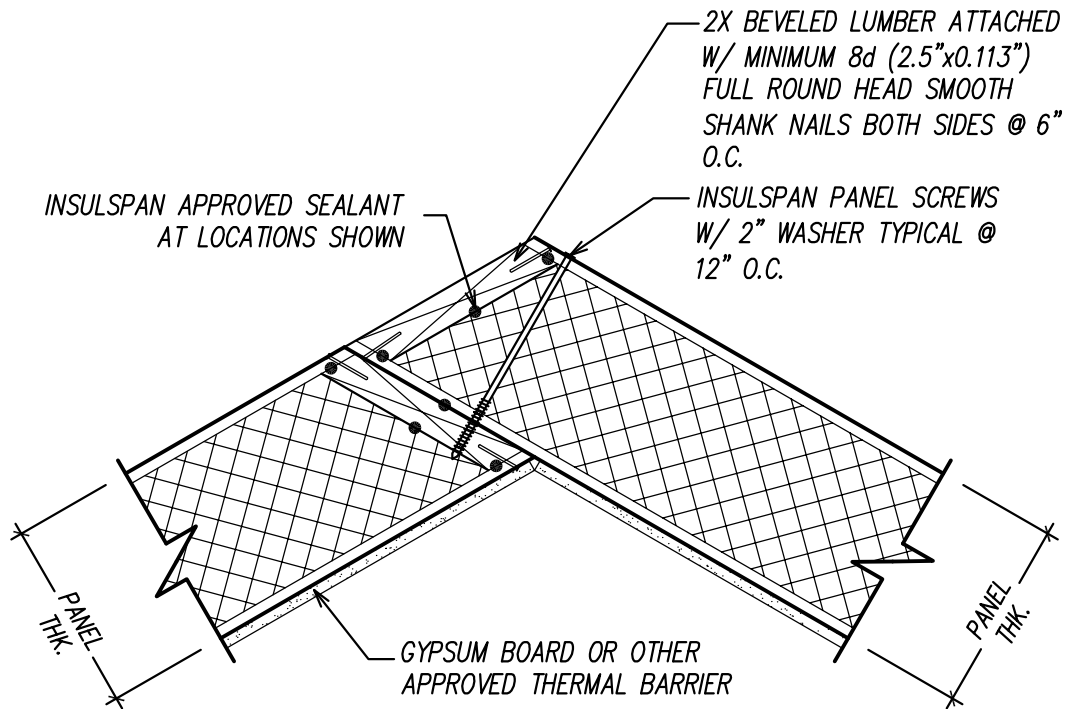


SIP WALL ANGLED CORNER

SCALE: N.T.S.

LAST UPDATE: 30/11/2007

200.06



NOTES:

1. THE DETAIL IS TO BE USED WITH INSULSPAN CONSTRUCTION DRAWINGS AND INSTALLATION GUIDE. REFER TO INSULSPAN CONSTRUCTION DRAWINGS FOR FINAL NAIL AND SCREW SCHEDULES.
2. ALL BUILDING COMPONENTS USED IN CONJUNCTION WITH THIS DETAIL SHALL BE IN COMPLIANCE WITH LOCAL CODE REQUIREMENT.

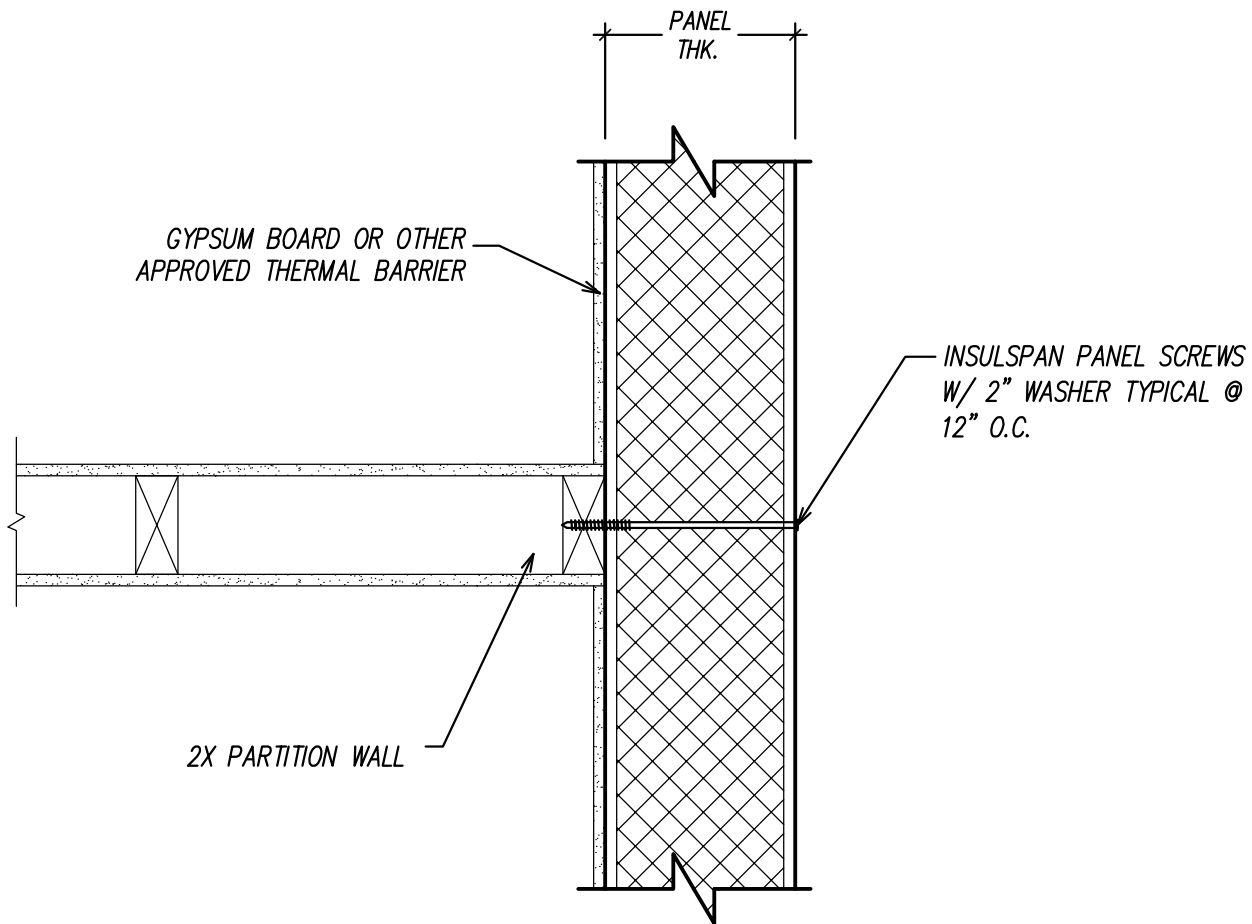
INSULSPAN[®]
STRUCTURAL INSULATING PANEL SYSTEM

SIP WALL ANGLED CORNER/OVERLAY

SCALE:N.T.S.

LAST UPDATE: 30/11/2007

200.06A



NOTES:

1. THE DETAIL IS TO BE USED WITH INSULSPAN CONSTRUCTION DRAWINGS AND INSTALLATION GUIDE. REFER TO INSULSPAN CONSTRUCTION DRAWINGS FOR FINAL NAIL AND SCREW SCHEDULES.
2. ALL BUILDING COMPONENTS USED IN CONJUNCTION WITH THIS DETAIL SHALL BE IN COMPLIANCE WITH LOCAL CODE REQUIREMENT.

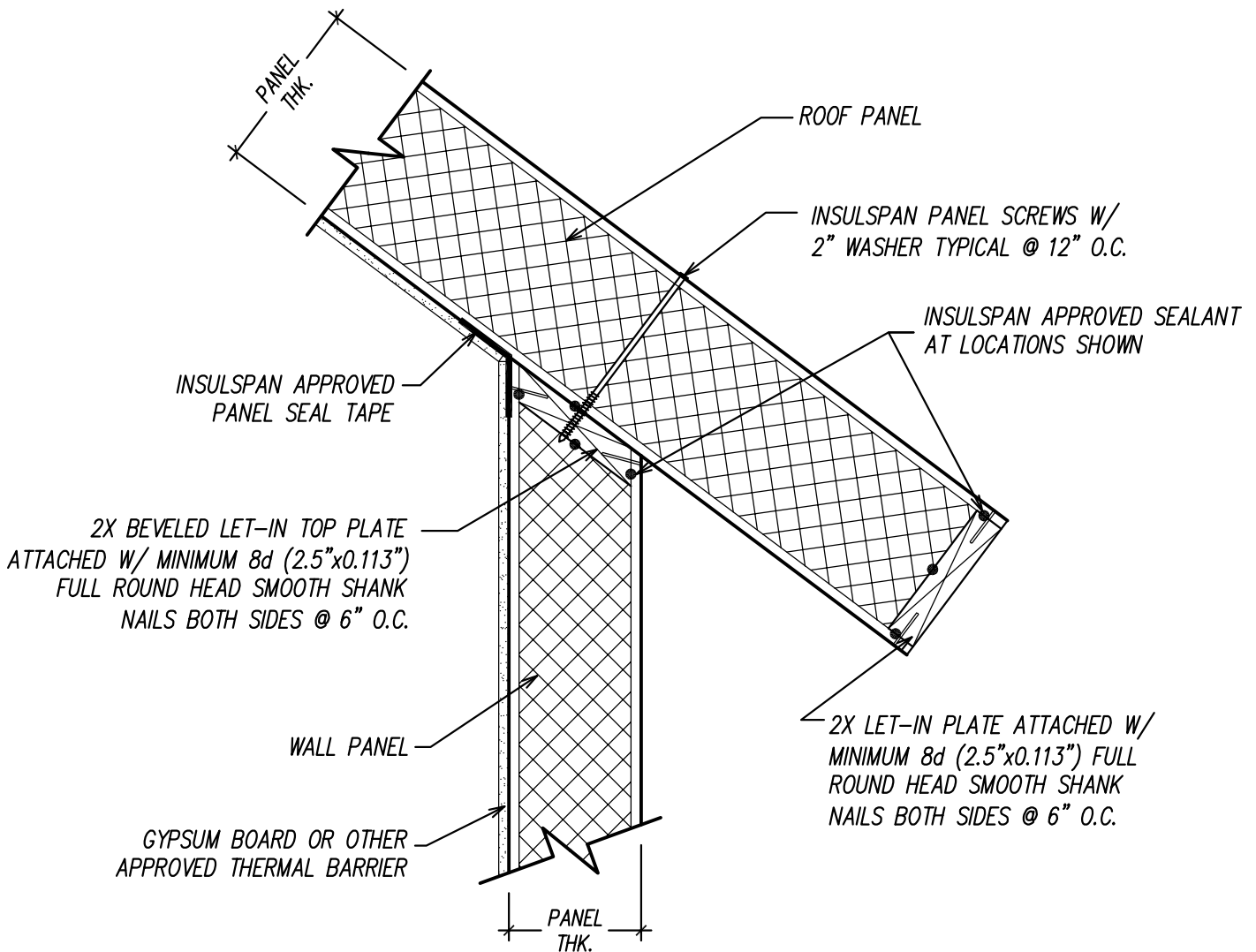


SIP WALL/PARTITION WALL

SCALE:N.T.S.

LAST UPDATE: 30/11/2007

200.07



NOTES:

1. THE DETAIL IS TO BE USED WITH INSULSPAN CONSTRUCTION DRAWINGS AND INSTALLATION GUIDE. REFER TO INSULSPAN CONSTRUCTION DRAWINGS FOR FINAL NAIL AND SCREW SCHEDULES.
2. ALL BUILDING COMPONENTS USED IN CONJUNCTION WITH THIS DETAIL SHALL BE IN COMPLIANCE WITH LOCAL CODE REQUIREMENT.

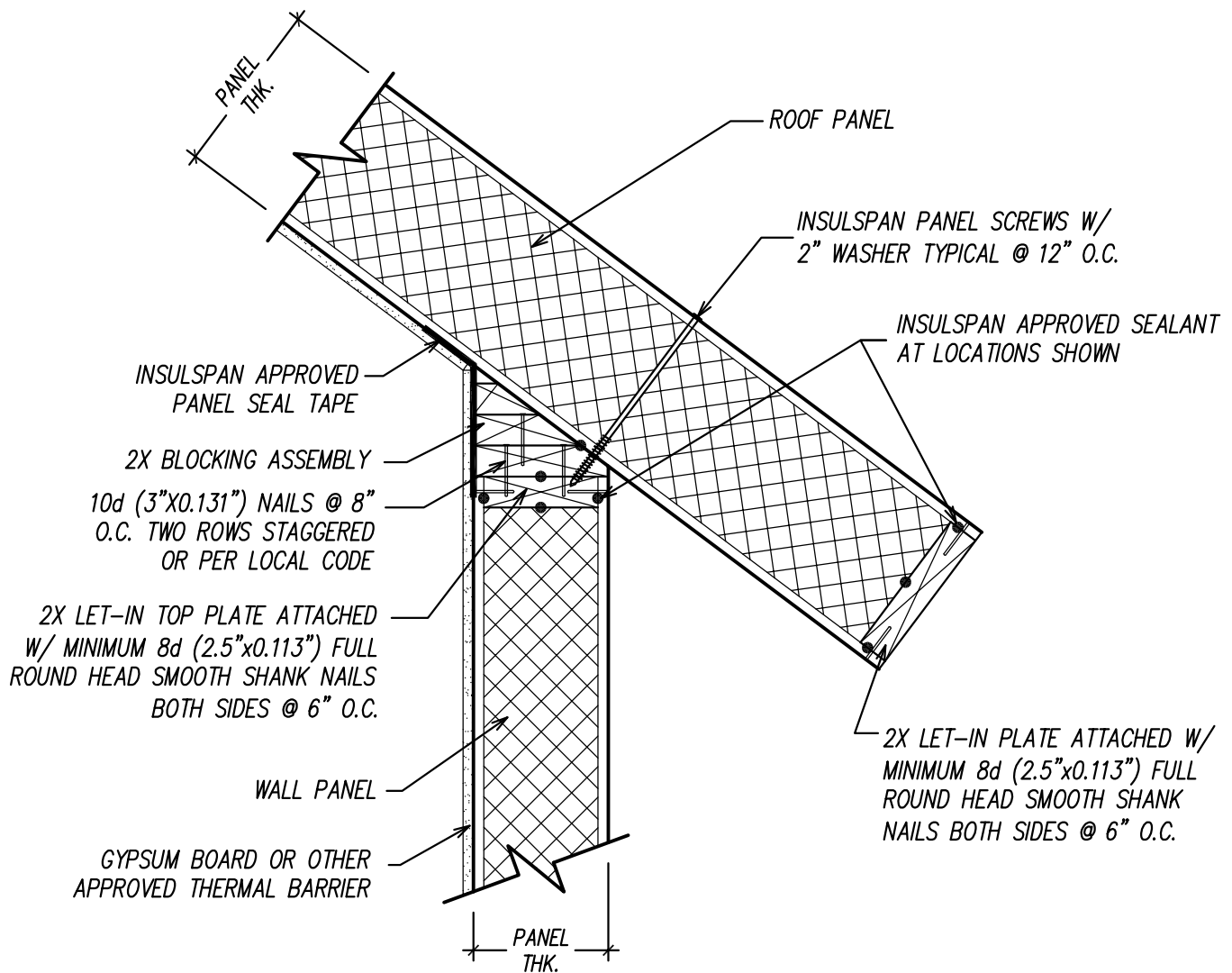
INSULSPAN[®]
STRUCTURAL INSULATING PANEL SYSTEM

SIP WALL/ROOF/SQUARE CUT EAVE

SCALE:N.T.S.

LAST UPDATE: 30/11/2007

300.01



NOTES:

1. THE DETAIL IS TO BE USED WITH INSULSPAN CONSTRUCTION DRAWINGS AND INSTALLATION GUIDE. REFER TO INSULSPAN CONSTRUCTION DRAWINGS FOR FINAL NAIL AND SCREW SCHEDULES.
2. ALL BUILDING COMPONENTS USED IN CONJUNCTION WITH THIS DETAIL SHALL BE IN COMPLIANCE WITH LOCAL CODE REQUIREMENT.

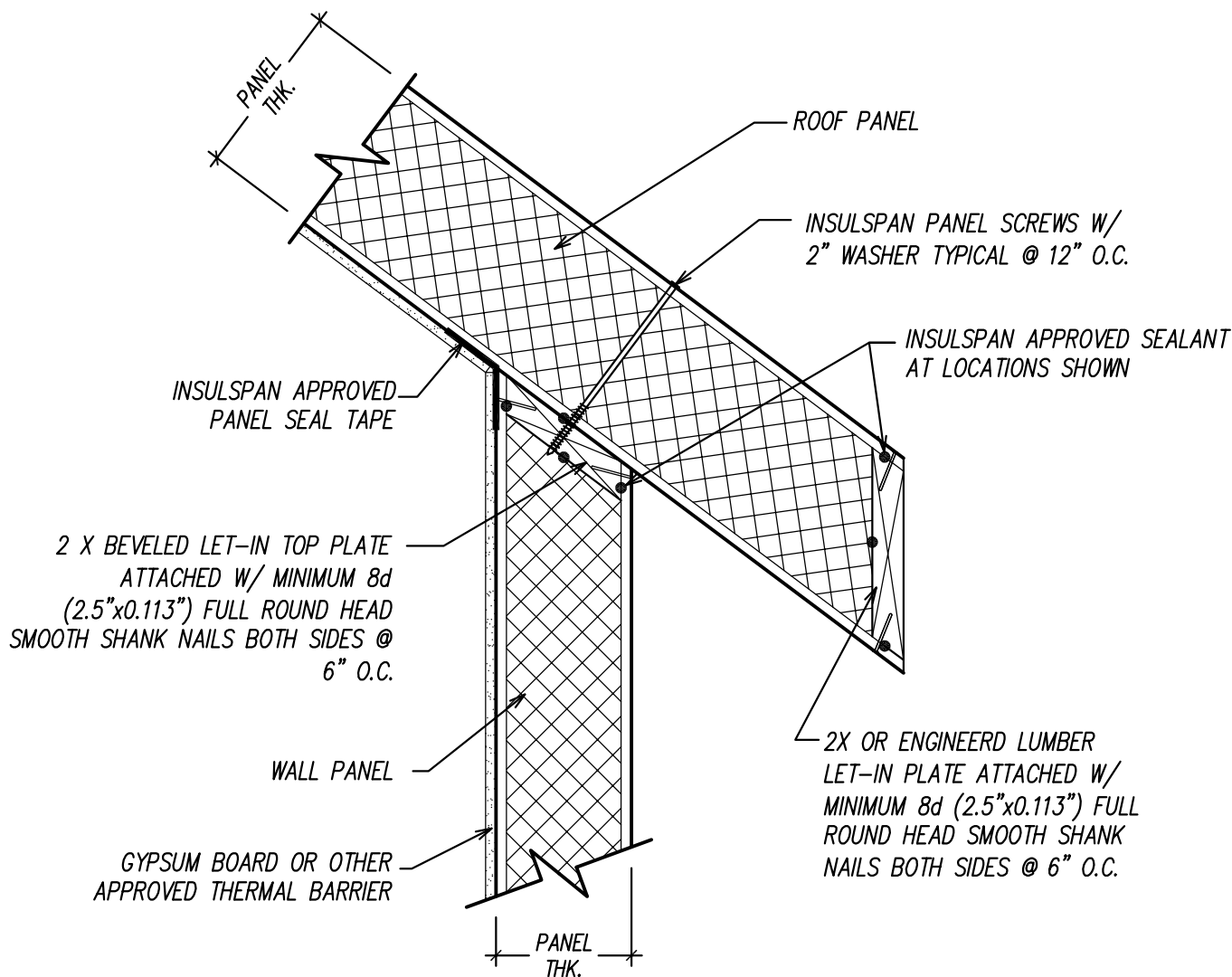
INSULSPAN[®]
STRUCTURAL INSULATING PANEL SYSTEM

SIP WALL/ROOF/BLOCKING/SQUARE CUT EAVE

SCALE:N.T.S.

LAST UPDATE: 30/11/2007

300.01A



NOTES:

1. THE DETAIL IS TO BE USED WITH INSULSPAN CONSTRUCTION DRAWINGS AND INSTALLATION GUIDE. REFER TO INSULSPAN CONSTRUCTION DRAWINGS FOR FINAL NAIL AND SCREW SCHEDULES.
2. ALL BUILDING COMPONENTS USED IN CONJUNCTION WITH THIS DETAIL SHALL BE IN COMPLIANCE WITH LOCAL CODE REQUIREMENT.

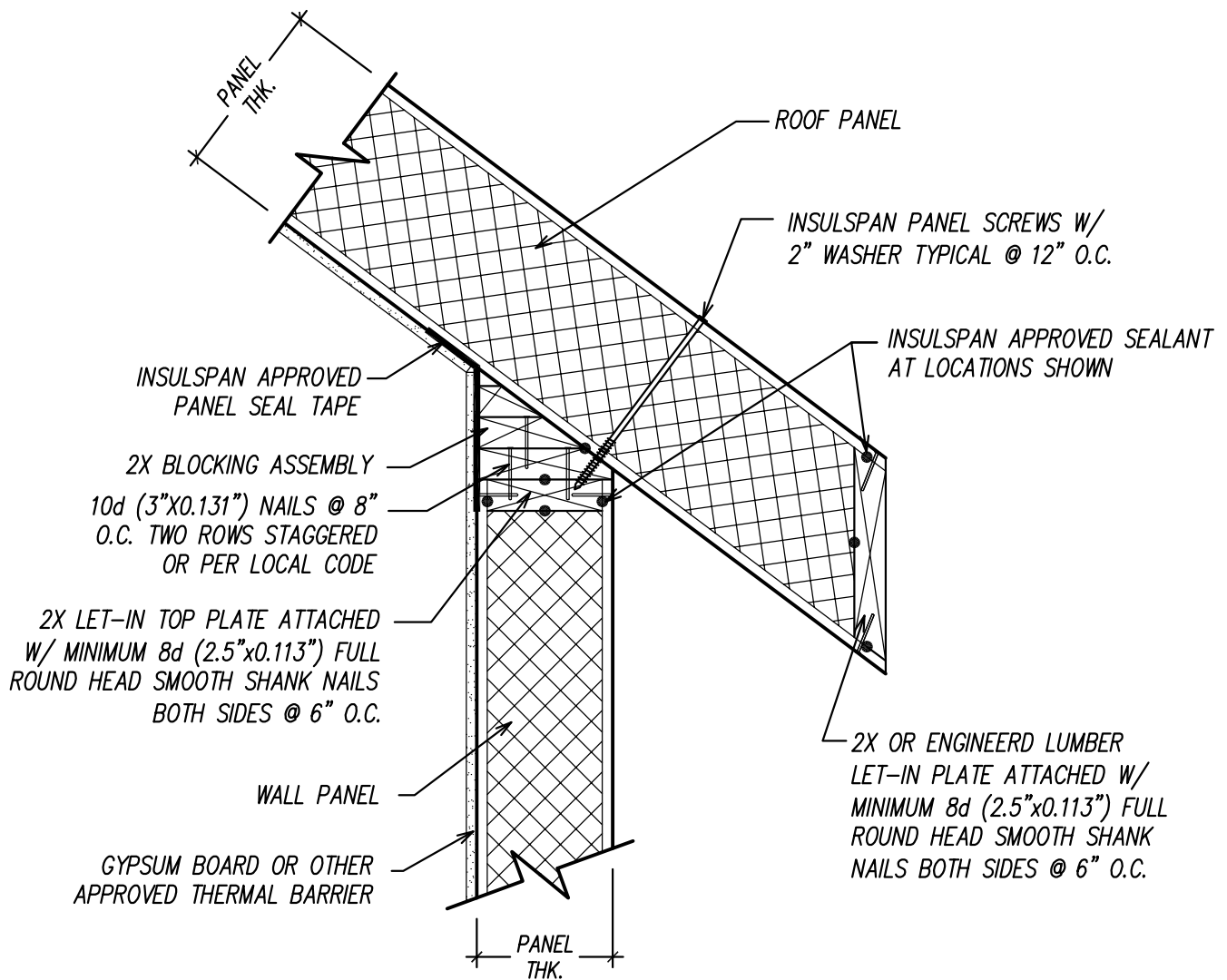
INSULSPAN[®]
STRUCTURAL INSULATING PANEL SYSTEM

SIP WALL/ROOF/PLUMB CUT EAVE

SCALE:N.T.S.

LAST UPDATE: 30/11/2007

300.02



NOTES:

1. THE DETAIL IS TO BE USED WITH INSULSPAN CONSTRUCTION DRAWINGS AND INSTALLATION GUIDE. REFER TO INSULSPAN CONSTRUCTION DRAWINGS FOR FINAL NAIL AND SCREW SCHEDULES.
2. ALL BUILDING COMPONENTS USED IN CONJUNCTION WITH THIS DETAIL SHALL BE IN COMPLIANCE WITH LOCAL CODE REQUIREMENT.

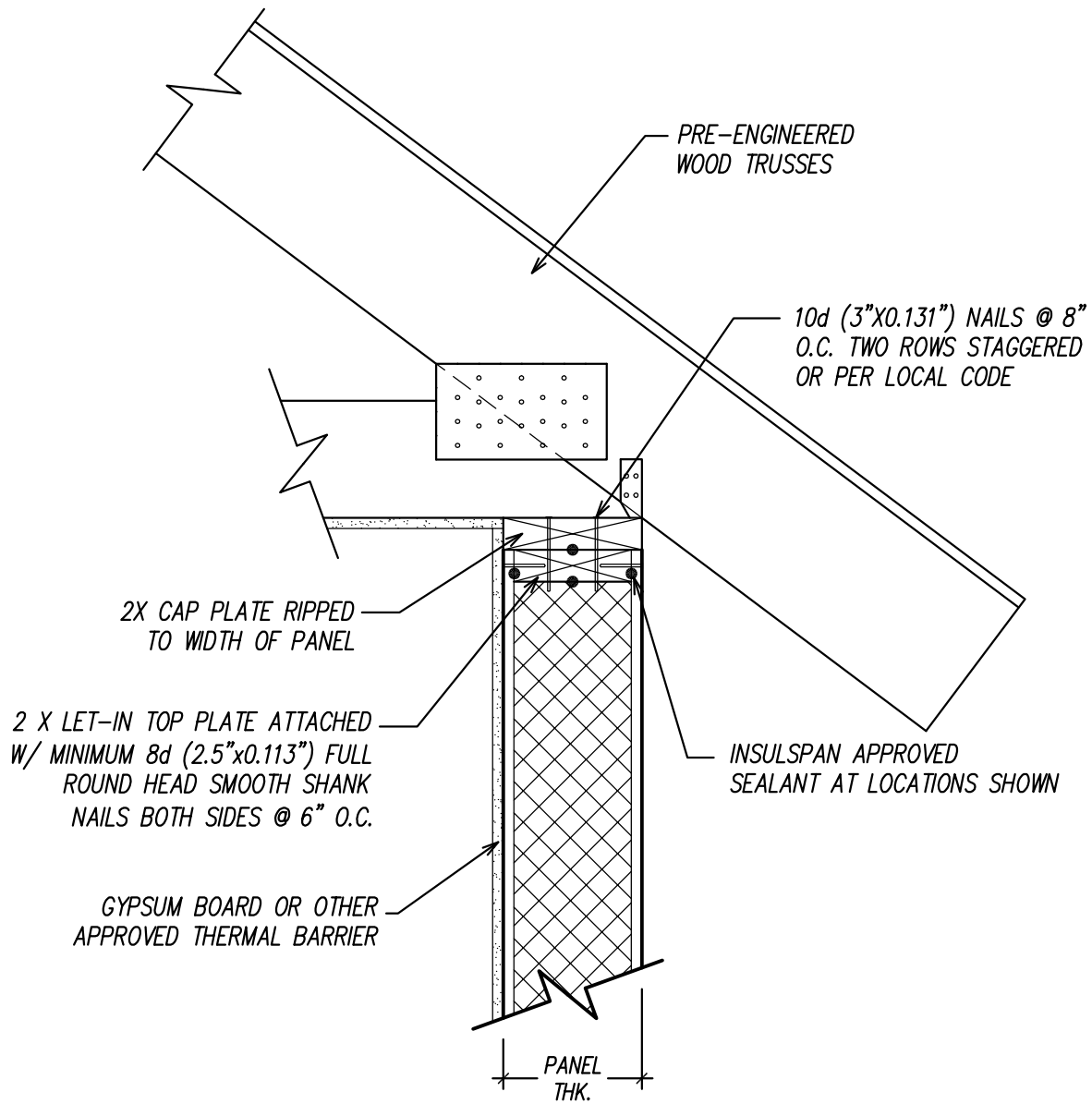


SIP WALL/ROOF/BLOCKING/PLUMB CUT EAVE

SCALE:N.T.S.

LAST UPDATE: 30/11/2007

300.02A



NOTES:

1. THE DETAIL IS TO BE USED WITH INSULSPAN CONSTRUCTION DRAWINGS AND INSTALLATION GUIDE. REFER TO INSULSPAN CONSTRUCTION DRAWINGS FOR FINAL NAIL AND SCREW SCHEDULES.
2. ALL BUILDING COMPONENTS USED IN CONJUNCTION WITH THIS DETAIL SHALL BE IN COMPLIANCE WITH LOCAL CODE REQUIREMENT.

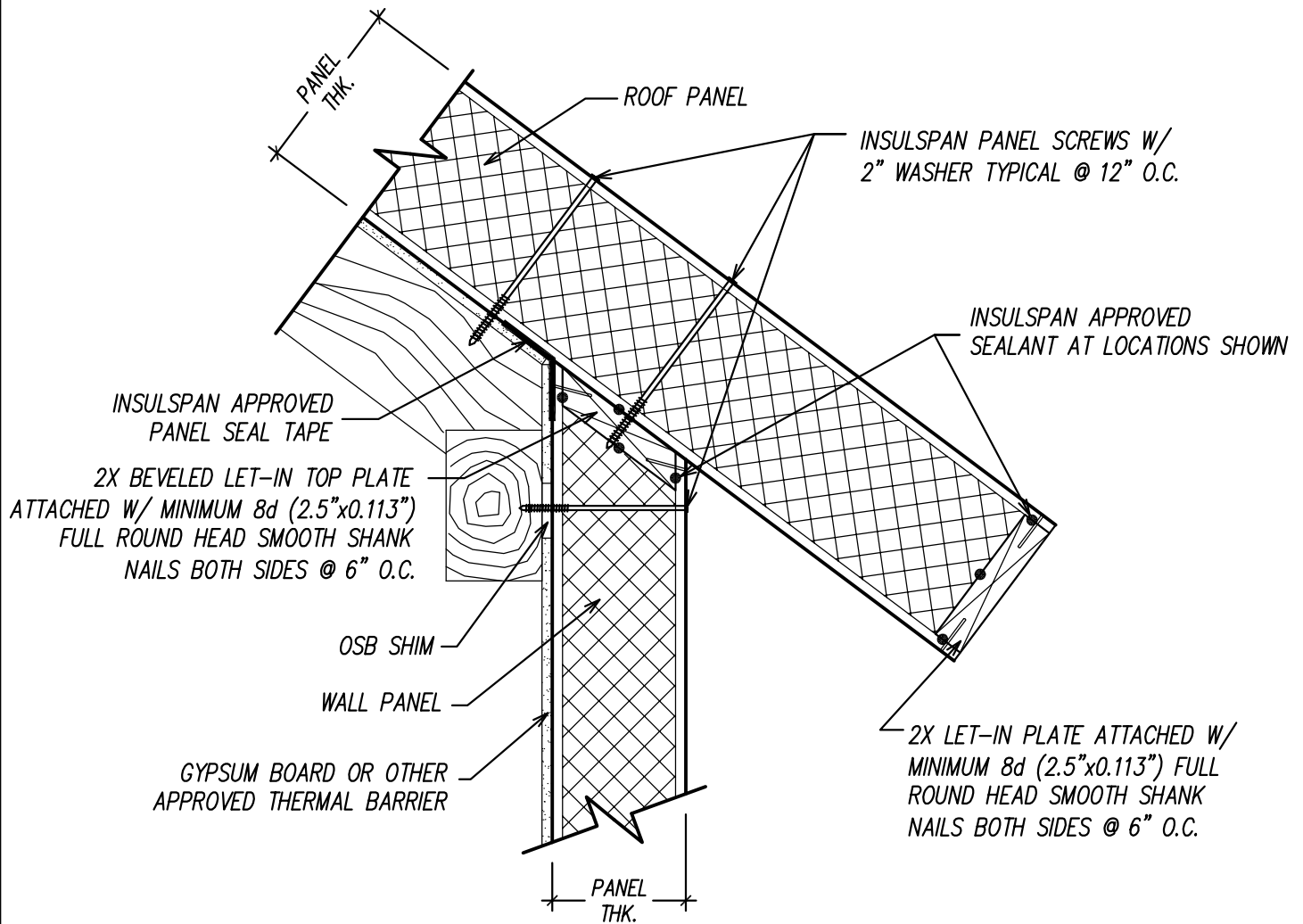
INSULSPAN[®]
 STRUCTURAL INSULATING PANEL SYSTEM

SIP WALL/PRE-ENGINEERED WOOD TRUSSES

SCALE: N.T.S.

LAST UPDATE: 30/11/2007

300.03



NOTES:

1. THE DETAIL IS TO BE USED WITH INSULSPAN CONSTRUCTION DRAWINGS AND INSTALLATION GUIDE. REFER TO INSULSPAN CONSTRUCTION DRAWINGS FOR FINAL NAIL AND SCREW SCHEDULES.
2. ALL BUILDING COMPONENTS USED IN CONJUNCTION WITH THIS DETAIL SHALL BE IN COMPLIANCE WITH LOCAL CODE REQUIREMENT.

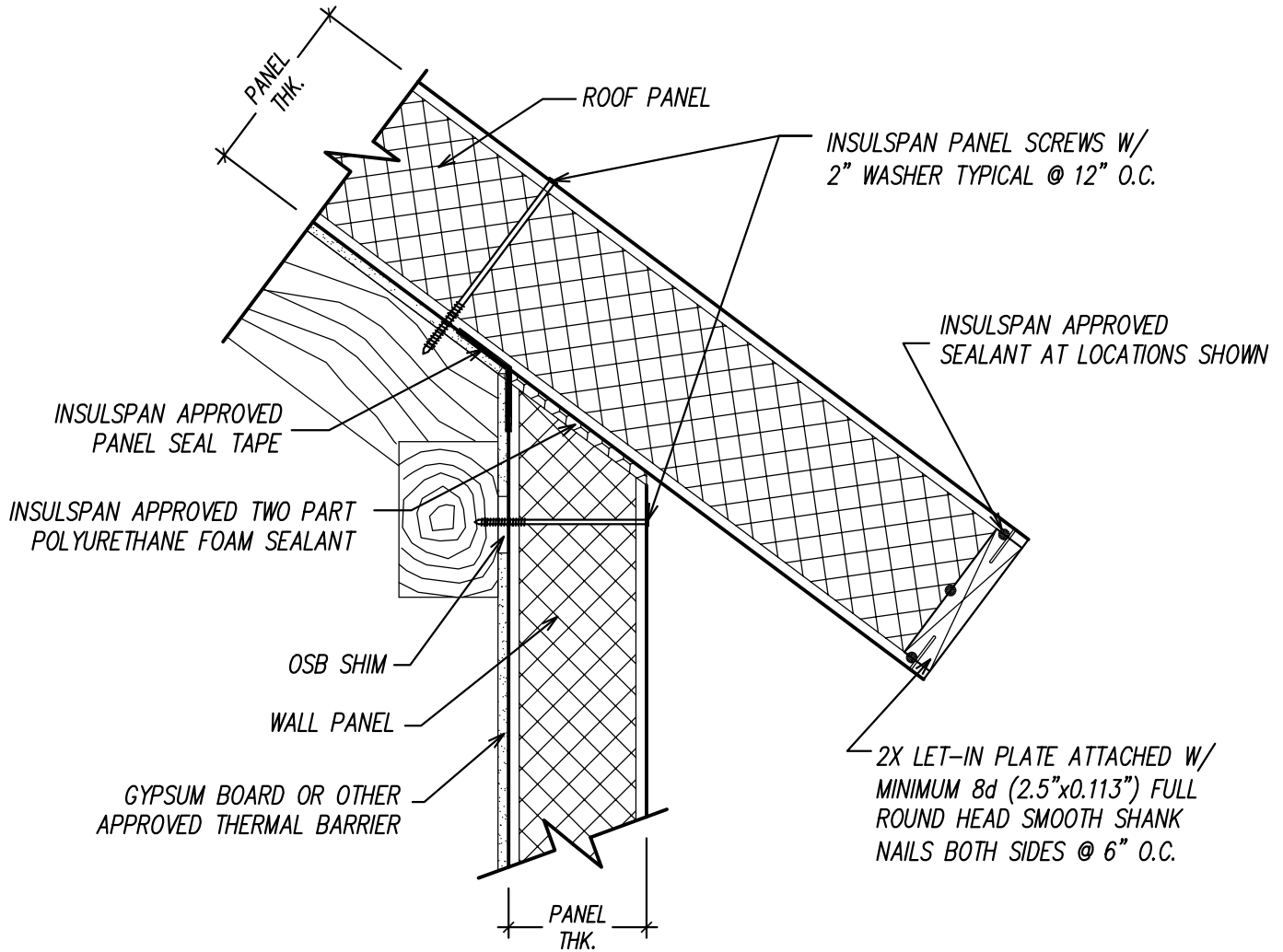
INSULSPAN[®]
 STRUCTURAL INSULATING PANEL SYSTEM

SIP WALL/ROOF/RAFTER/SQUARE CUT EAVE

SCALE: N.T.S.

LAST UPDATE: 30/11/2007

300.04



NOTES:

1. THE DETAIL IS TO BE USED WITH INSULSPAN CONSTRUCTION DRAWINGS AND INSTALLATION GUIDE. REFER TO INSULSPAN CONSTRUCTION DRAWINGS FOR FINAL NAIL AND SCREW SCHEDULES.
2. ALL BUILDING COMPONENTS USED IN CONJUNCTION WITH THIS DETAIL SHALL BE IN COMPLIANCE WITH LOCAL CODE REQUIREMENT.

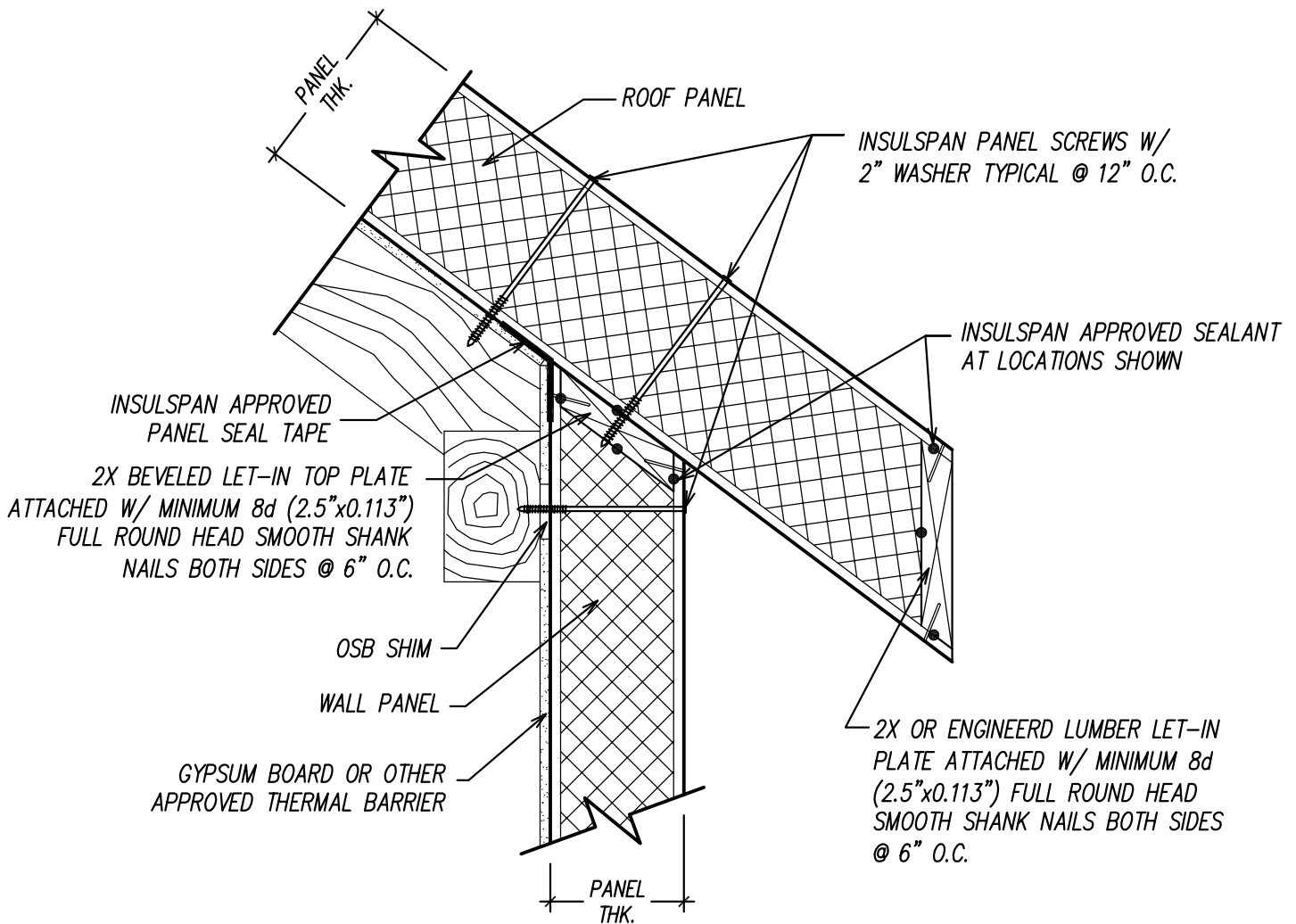
INSULSPAN[®]
 STRUCTURAL INSULATING PANEL SYSTEM

SIP WALL/ROOF/RAFTER/FOAM GAP/SQUARE CUT EAVE

SCALE: N.T.S.

LAST UPDATE: 30/11/2007

300.04A



NOTES:

1. THE DETAIL IS TO BE USED WITH INSULSPAN CONSTRUCTION DRAWINGS AND INSTALLATION GUIDE. REFER TO INSULSPAN CONSTRUCTION DRAWINGS FOR FINAL NAIL AND SCREW SCHEDULES.
2. ALL BUILDING COMPONENTS USED IN CONJUNCTION WITH THIS DETAIL SHALL BE IN COMPLIANCE WITH LOCAL CODE REQUIREMENT.

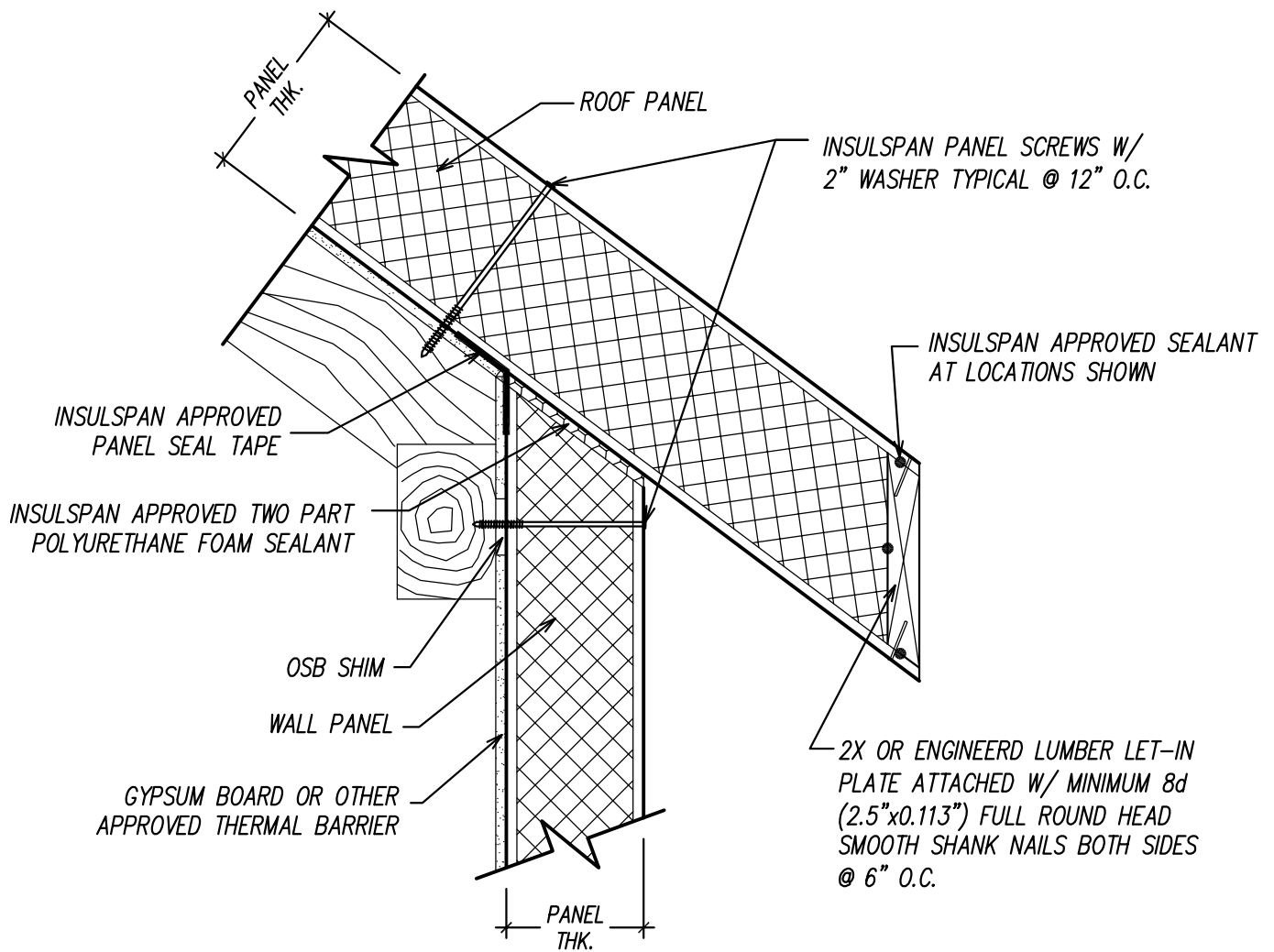
INSULSPAN[®]
STRUCTURAL INSULATING PANEL SYSTEM

SIP WALL/ROOF/RAFTER/PLUMB CUT EAVE

SCALE:N.T.S.

LAST UPDATE: 30/11/2007

300.05



NOTES:

1. THE DETAIL IS TO BE USED WITH INSULSPAN CONSTRUCTION DRAWINGS AND INSTALLATION GUIDE. REFER TO INSULSPAN CONSTRUCTION DRAWINGS FOR FINAL NAIL AND SCREW SCHEDULES.
2. ALL BUILDING COMPONENTS USED IN CONJUNCTION WITH THIS DETAIL SHALL BE IN COMPLIANCE WITH LOCAL CODE REQUIREMENT.

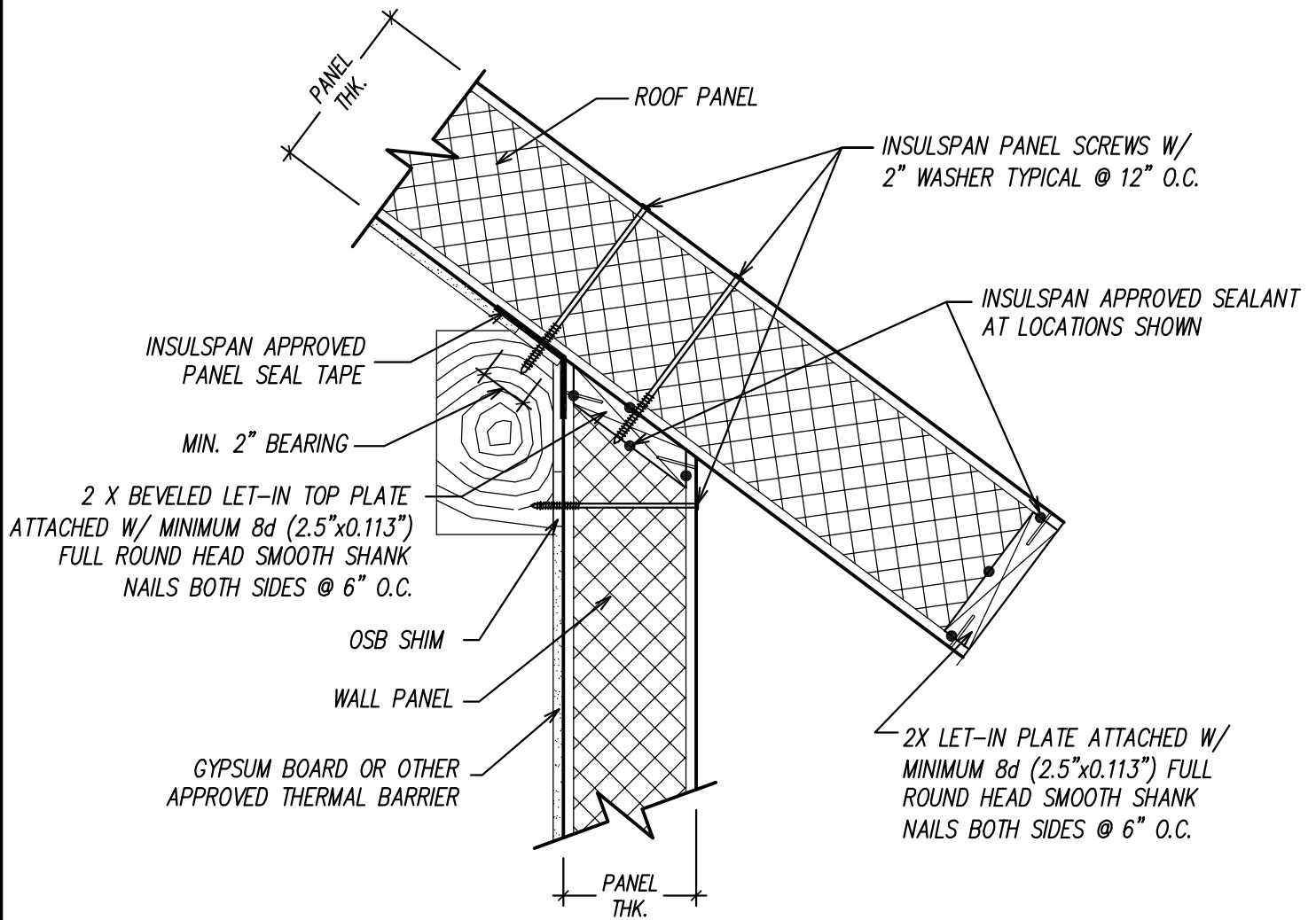


SIP WALL/ROOF/RAFTER/FOAM GAP/PLUMB CUT EAVE

SCALE:N.T.S.

LAST UPDATE: 30/11/2007

300.05A



NOTES:

1. THE DETAIL IS TO BE USED WITH INSULSPAN CONSTRUCTION DRAWINGS AND INSTALLATION GUIDE. REFER TO INSULSPAN CONSTRUCTION DRAWINGS FOR FINAL NAIL AND SCREW SCHEDULES.
2. ALL BUILDING COMPONENTS USED IN CONJUNCTION WITH THIS DETAIL SHALL BE IN COMPLIANCE WITH LOCAL CODE REQUIREMENT.

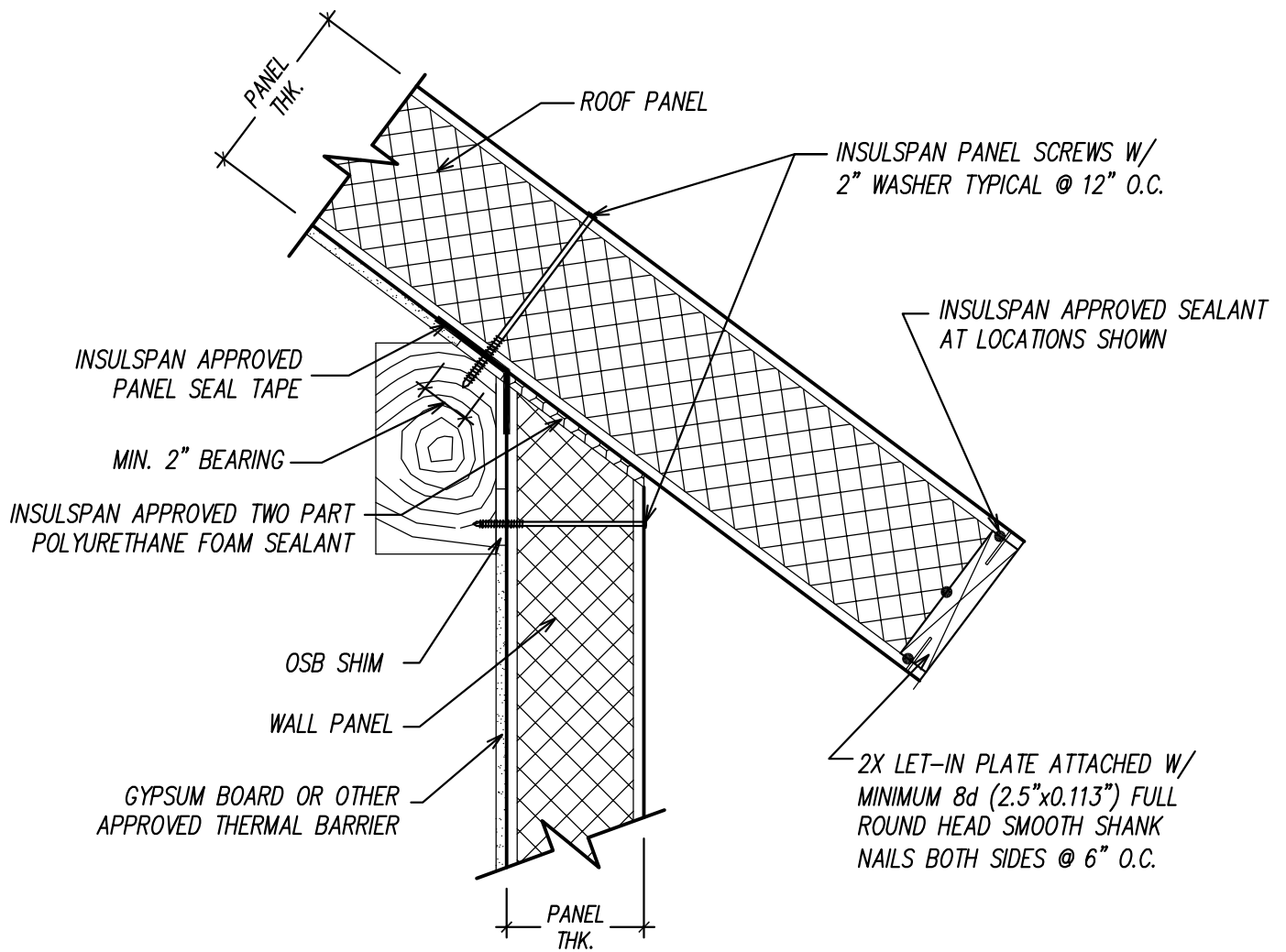
INSULSPAN[®]
STRUCTURAL INSULATING PANEL SYSTEM

SIP WALL/ROOF/PURLIN/SQUARE CUT EAVE

SCALE:N.T.S.

LAST UPDATE: 30/11/2007

300.06



NOTES:

1. THE DETAIL IS TO BE USED WITH INSULSPAN CONSTRUCTION DRAWINGS AND INSTALLATION GUIDE. REFER TO INSULSPAN CONSTRUCTION DRAWINGS FOR FINAL NAIL AND SCREW SCHEDULES.
2. ALL BUILDING COMPONENTS USED IN CONJUNCTION WITH THIS DETAIL SHALL BE IN COMPLIANCE WITH LOCAL CODE REQUIREMENT.

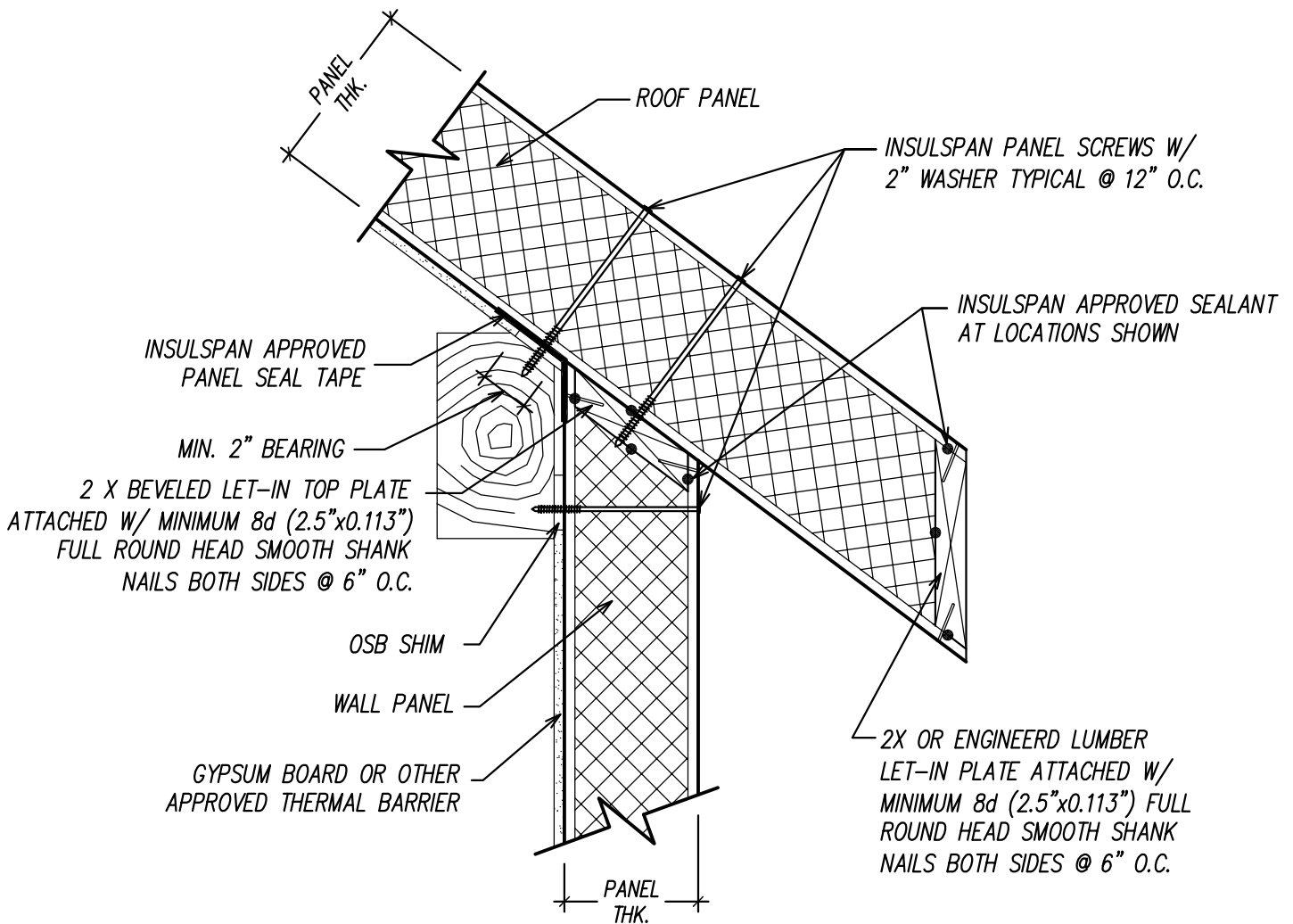


SIP WALL/ROOF/PURLIN/FOAM GAP/SQUARE CUT EAVE

SCALE: N.T.S.

LAST UPDATE: 30/11/2007

300.06A



NOTES:

1. THE DETAIL IS TO BE USED WITH INSULSPAN CONSTRUCTION DRAWINGS AND INSTALLATION GUIDE. REFER TO INSULSPAN CONSTRUCTION DRAWINGS FOR FINAL NAIL AND SCREW SCHEDULES.
2. ALL BUILDING COMPONENTS USED IN CONJUNCTION WITH THIS DETAIL SHALL BE IN COMPLIANCE WITH LOCAL CODE REQUIREMENT.

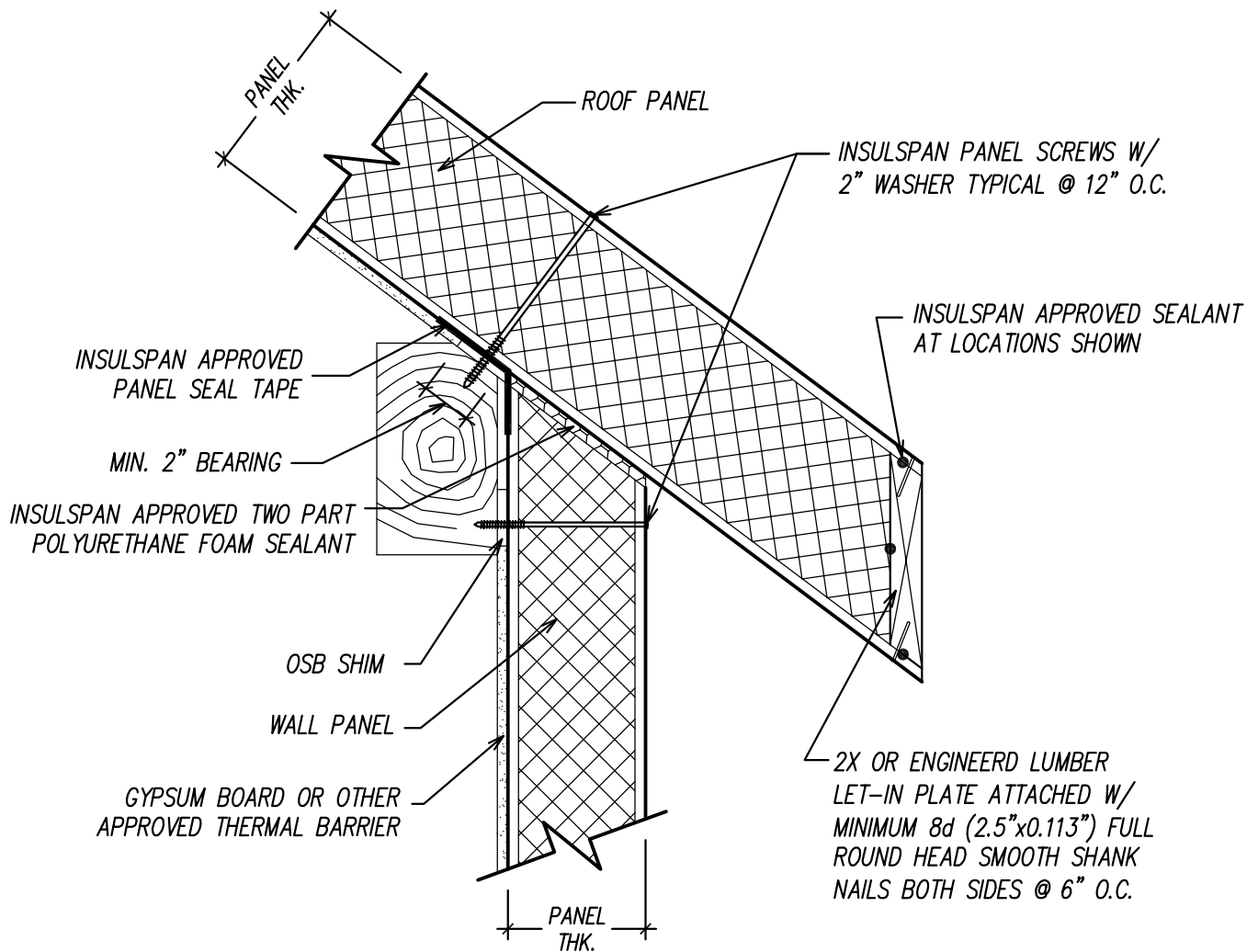
INSULSPAN[®]
STRUCTURAL INSULATING PANEL SYSTEM

SIP WALL/ROOF/PURLIN/PLUMB CUT EAVE

SCALE:N.T.S.

LAST UPDATE: 30/11/2007

300.07



NOTES:

1. THE DETAIL IS TO BE USED WITH INSULSPAN CONSTRUCTION DRAWINGS AND INSTALLATION GUIDE. REFER TO INSULSPAN CONSTRUCTION DRAWINGS FOR FINAL NAIL AND SCREW SCHEDULES.
2. ALL BUILDING COMPONENTS USED IN CONJUNCTION WITH THIS DETAIL SHALL BE IN COMPLIANCE WITH LOCAL CODE REQUIREMENT.

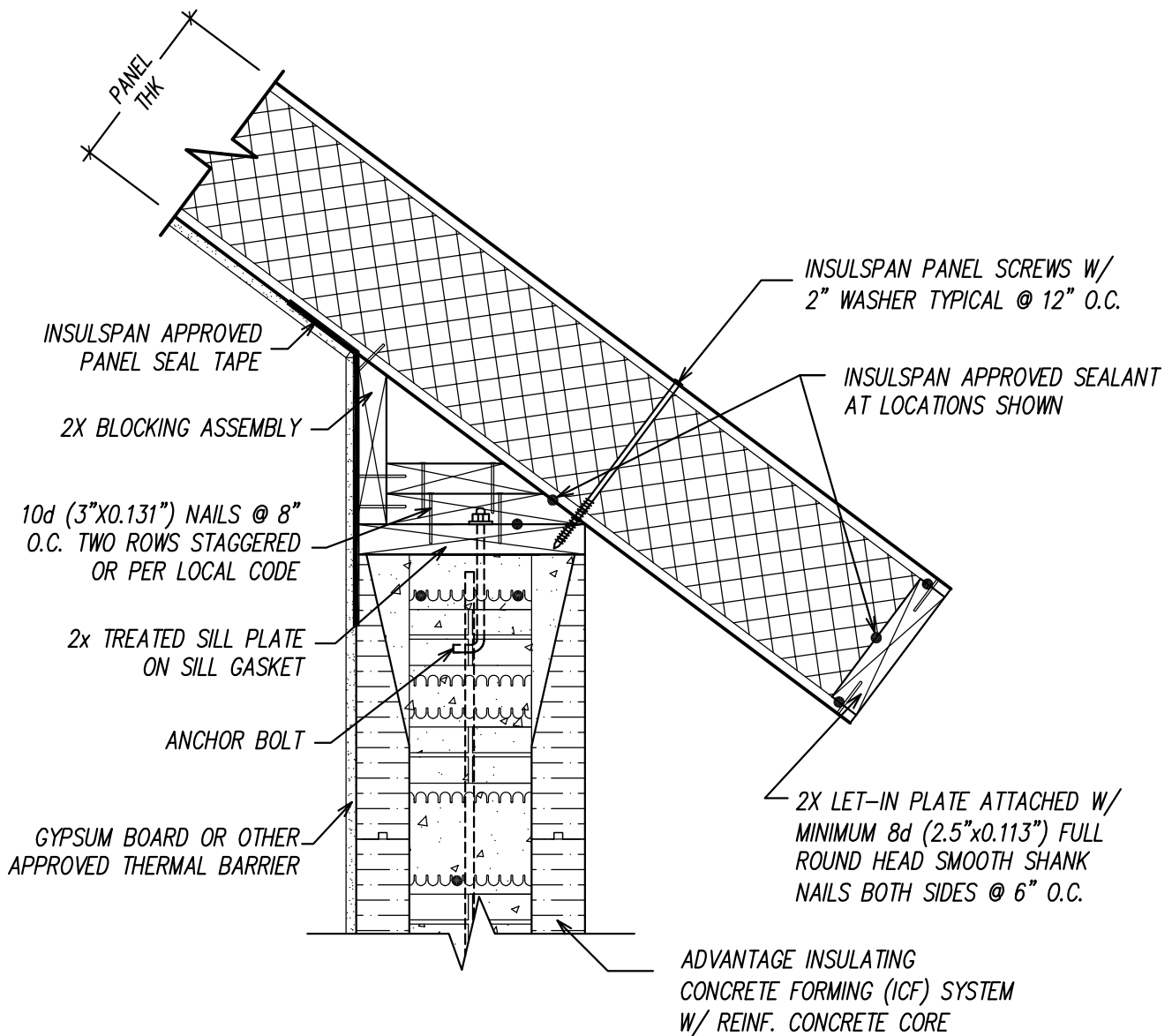


SIP WALL/ROOF/PURLIN/FOAM GAP/PLUMB CUT EAVE

SCALE:N.T.S.

LAST UPDATE: 30/11/2007

300.07A



NOTES:

1. THE DETAIL IS TO BE USED WITH INSULSPAN CONSTRUCTION DRAWINGS AND INSTALLATION GUIDE. REFER TO INSULSPAN CONSTRUCTION DRAWINGS FOR FINAL NAIL AND SCREW SCHEDULES.
2. ALL BUILDING COMPONENTS USED IN CONJUNCTION WITH THIS DETAIL SHALL BE IN COMPLIANCE WITH LOCAL CODE REQUIREMENT.

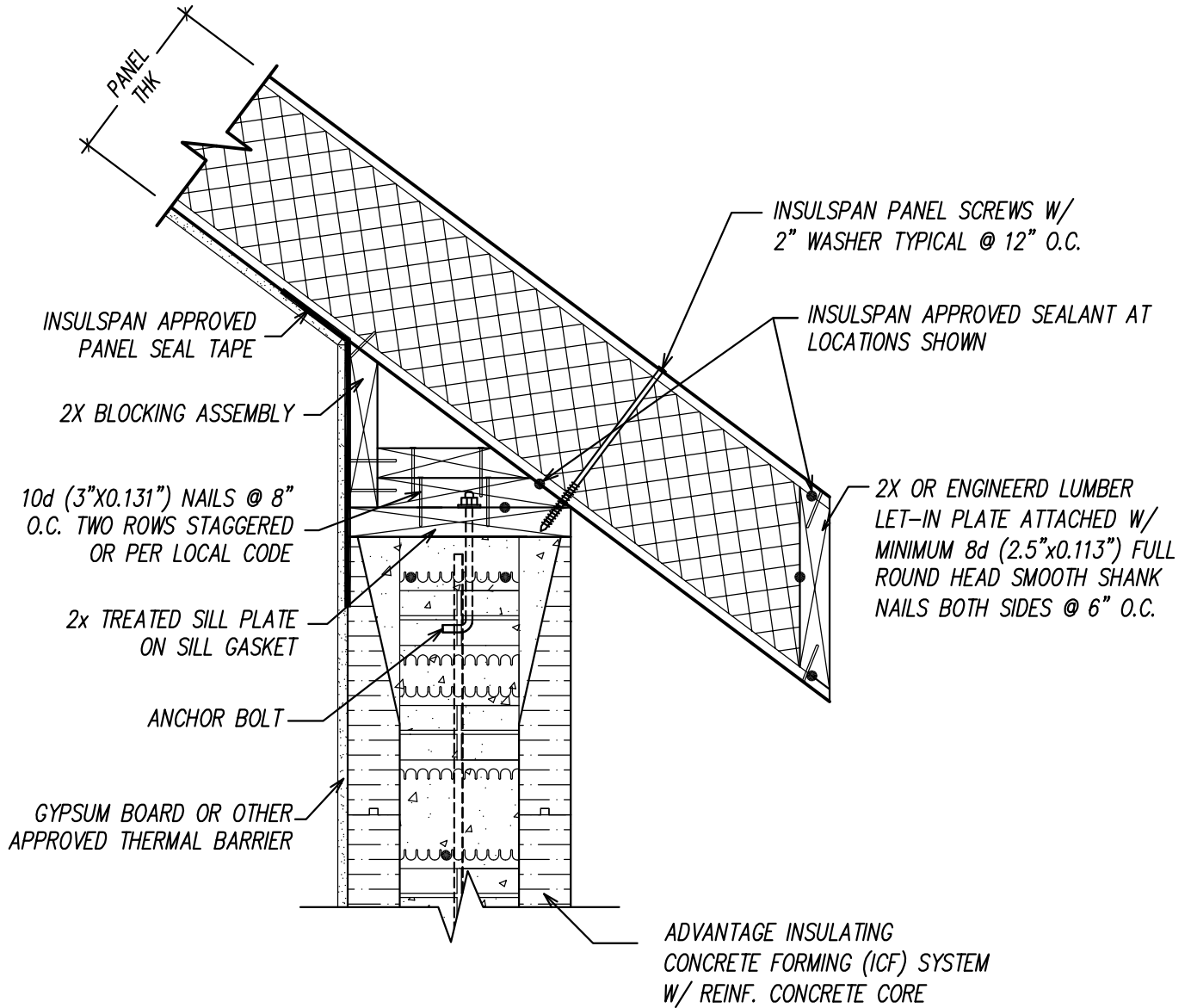


SIP ROOF/ICF WALL/SQUARE CUT EAVE

SCALE: N.T.S.

LAST UPDATE: 30/11/2007

300.08



NOTES:

1. THE DETAIL IS TO BE USED WITH INSULSPAN CONSTRUCTION DRAWINGS AND INSTALLATION GUIDE. REFER TO INSULSPAN CONSTRUCTION DRAWINGS FOR FINAL NAIL AND SCREW SCHEDULES.
2. ALL BUILDING COMPONENTS USED IN CONJUNCTION WITH THIS DETAIL SHALL BE IN COMPLIANCE WITH LOCAL CODE REQUIREMENT.

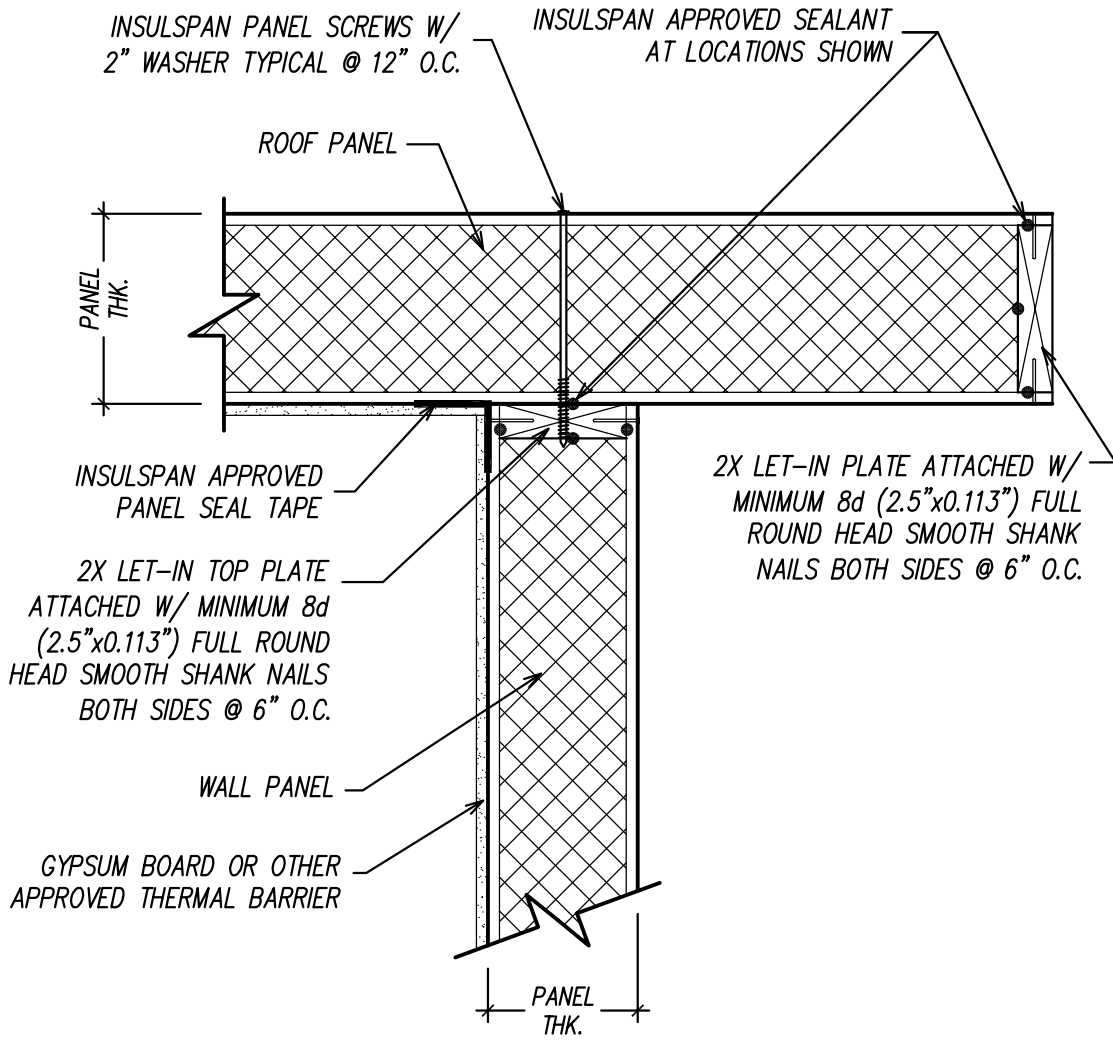
INSULSPAN[®]
STRUCTURAL INSULATING PANEL SYSTEM

SIP ROOF/ICF WALL/PLUMB CUT EAVE

SCALE:N.T.S.

LAST UPDATE: 30/11/2007

300.09



NOTES:

1. THE DETAIL IS TO BE USED WITH INSULSPAN CONSTRUCTION DRAWINGS AND INSTALLATION GUIDE. REFER TO INSULSPAN CONSTRUCTION DRAWINGS FOR FINAL NAIL AND SCREW SCHEDULES.
2. ALL BUILDING COMPONENTS USED IN CONJUNCTION WITH THIS DETAIL SHALL BE IN COMPLIANCE WITH LOCAL CODE REQUIREMENT.

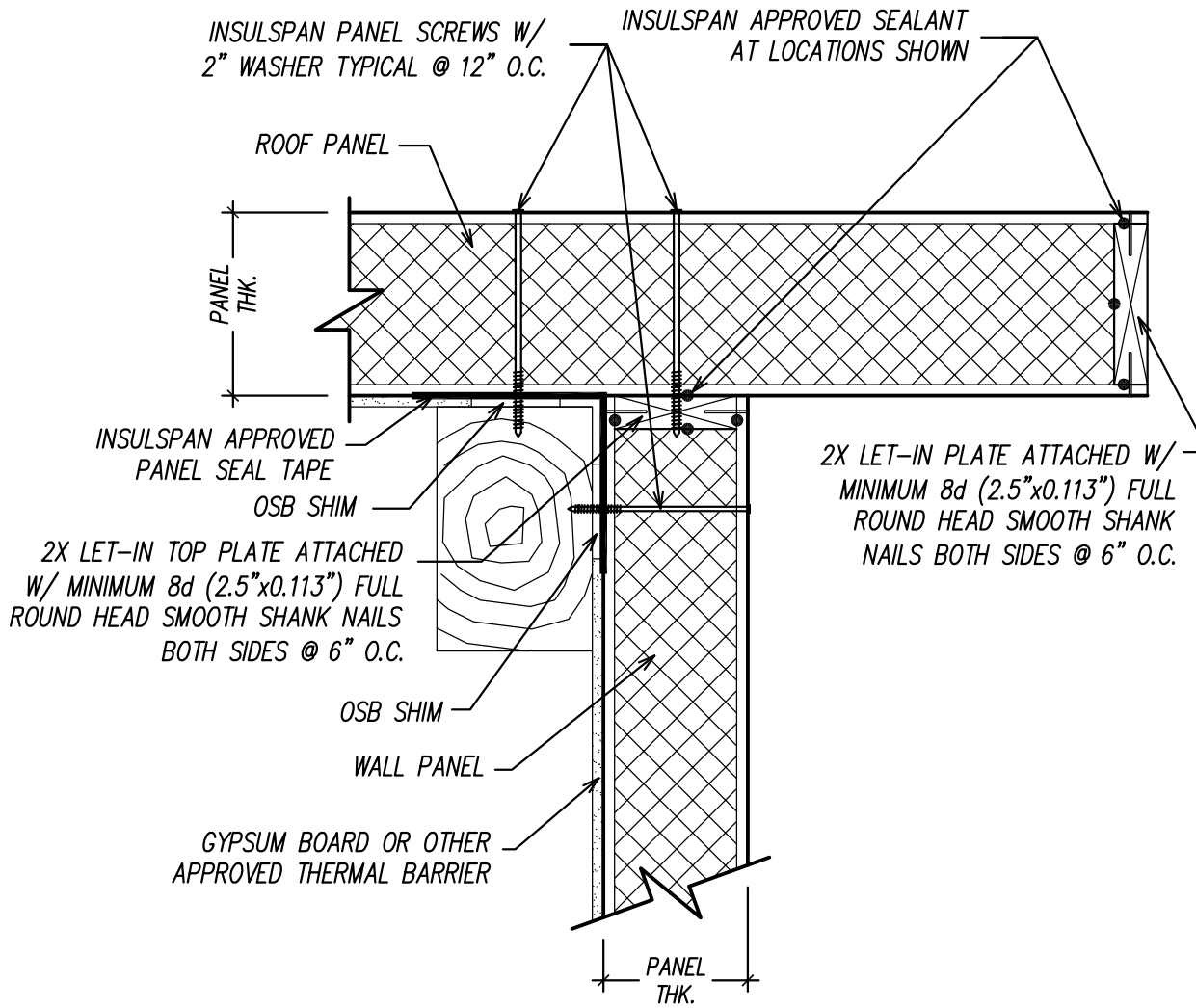
INSULSPAN[®]
STRUCTURAL INSULATING PANEL SYSTEM

SIP WALL/ROOF/RAKE

SCALE:N.T.S.

LAST UPDATE: 30/11/2007

300.10



NOTES:

1. THE DETAIL IS TO BE USED WITH INSULSPAN CONSTRUCTION DRAWINGS AND INSTALLATION GUIDE. REFER TO INSULSPAN CONSTRUCTION DRAWINGS FOR FINAL NAIL AND SCREW SCHEDULES.
2. ALL BUILDING COMPONENTS USED IN CONJUNCTION WITH THIS DETAIL SHALL BE IN COMPLIANCE WITH LOCAL CODE REQUIREMENT.

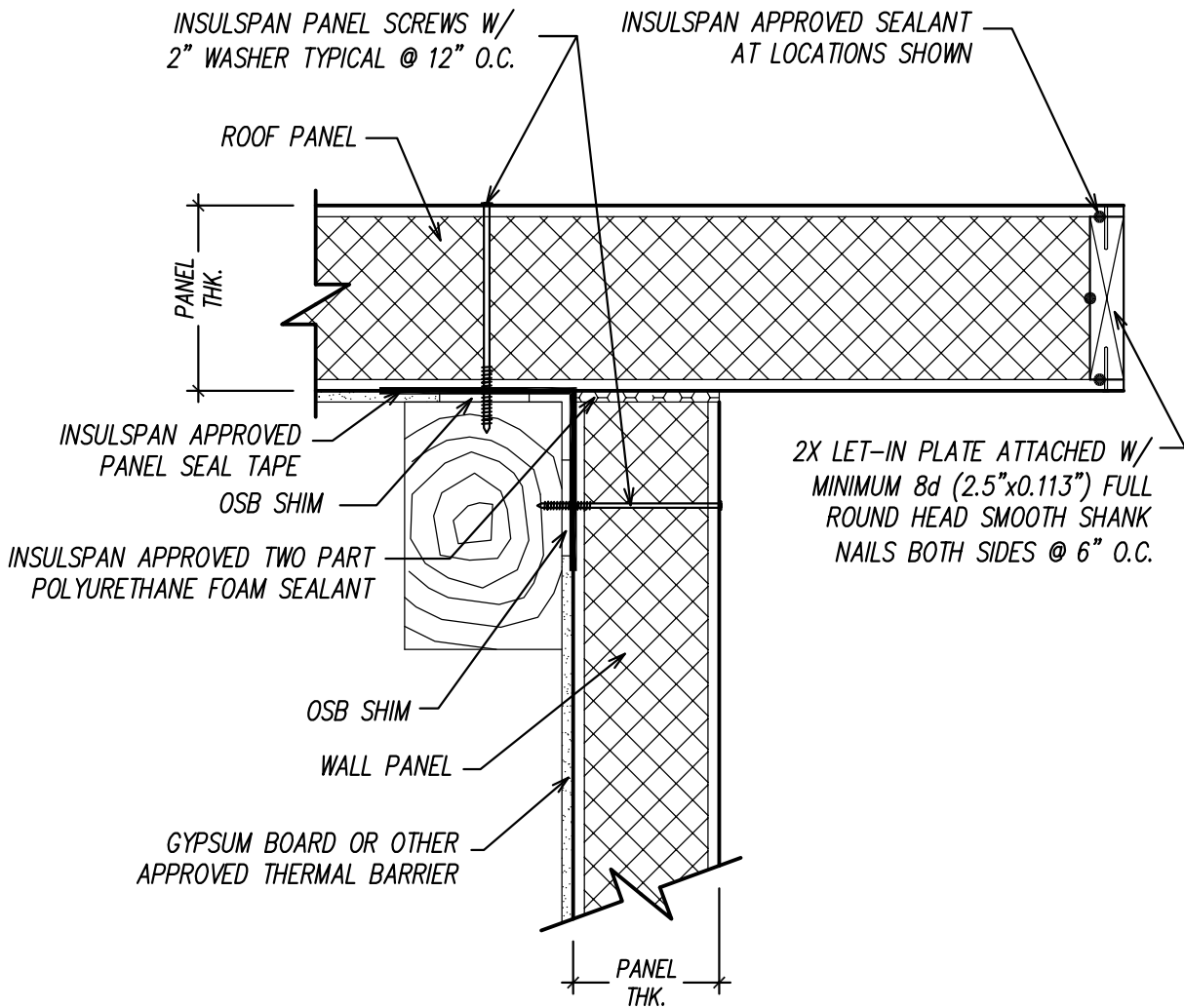


SIP WALL/ROOF/TIMBER FRAME/RAKE

SCALE:N.T.S.

LAST UPDATE: 30/11/2007

300.11



NOTES:

1. THE DETAIL IS TO BE USED WITH INSULSPAN CONSTRUCTION DRAWINGS AND INSTALLATION GUIDE. REFER TO INSULSPAN CONSTRUCTION DRAWINGS FOR FINAL NAIL AND SCREW SCHEDULES.
2. ALL BUILDING COMPONENTS USED IN CONJUNCTION WITH THIS DETAIL SHALL BE IN COMPLIANCE WITH LOCAL CODE REQUIREMENT.

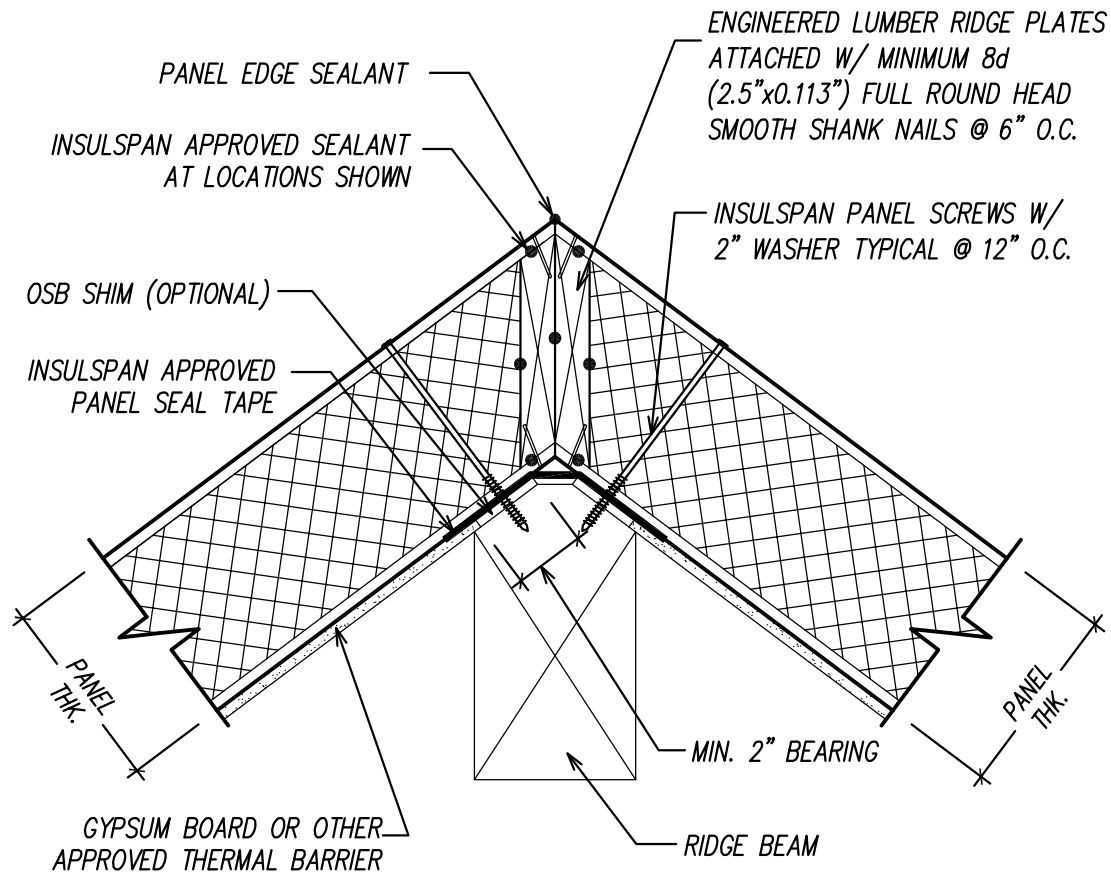
INSULSPAN[®]
STRUCTURAL INSULATING PANEL SYSTEM

SIP WALL/ROOF/TIMBER FRAME/FOAM GAP/RAKE

SCALE:N.T.S.

LAST UPDATE: 30/11/2007

300.11A



NOTES:

1. THE DETAIL IS TO BE USED WITH INSULSPAN CONSTRUCTION DRAWINGS AND INSTALLATION GUIDE. REFER TO INSULSPAN CONSTRUCTION DRAWINGS FOR FINAL NAIL AND SCREW SCHEDULES.
2. ALL BUILDING COMPONENTS USED IN CONJUNCTION WITH THIS DETAIL SHALL BE IN COMPLIANCE WITH LOCAL CODE REQUIREMENT.

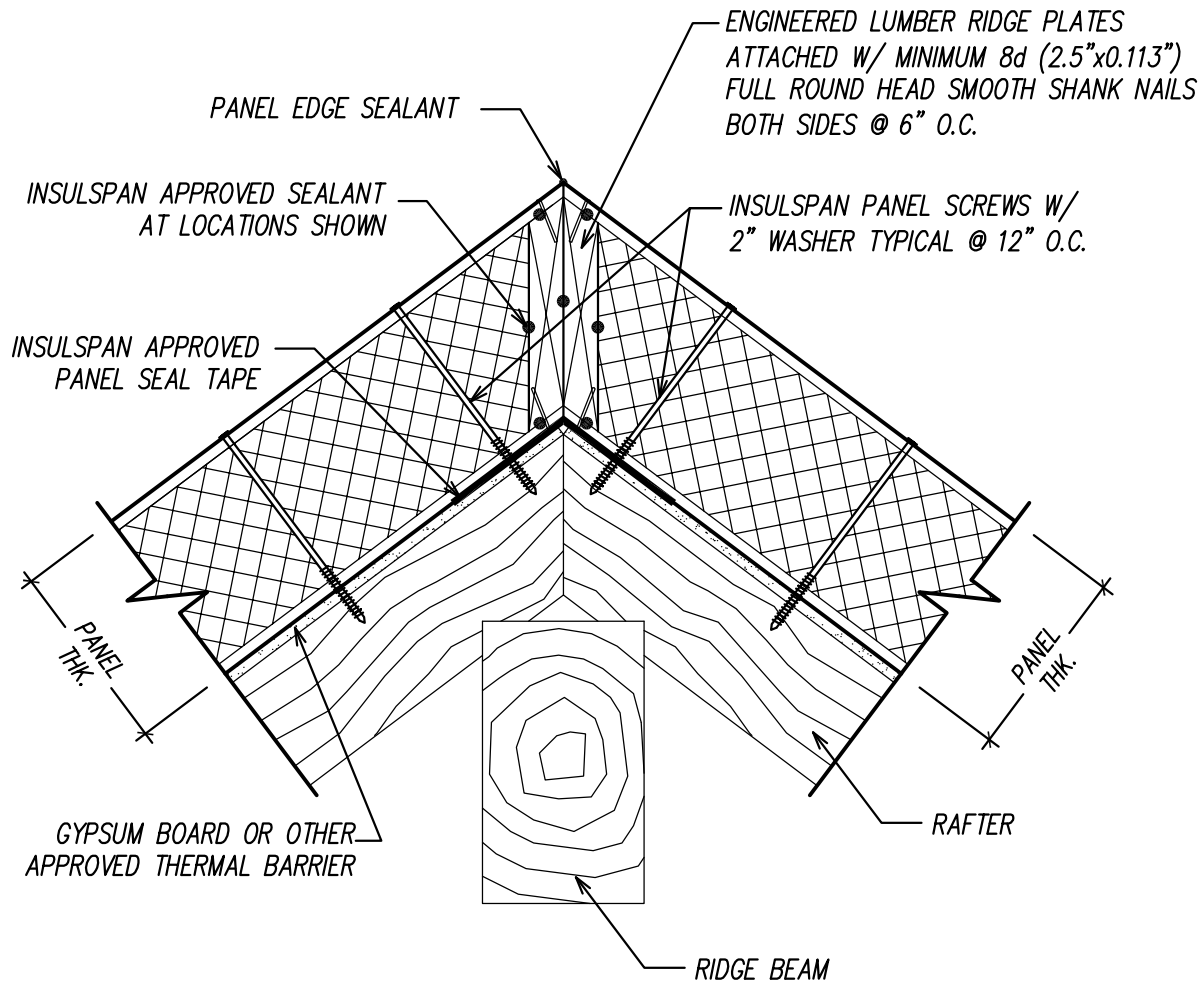


SIP ROOF/RIDGE BEAM/RIDGE PLATES

SCALE: N.T.S.

LAST UPDATE: 30/11/2007

300.21



NOTES:

1. THE DETAIL IS TO BE USED WITH INSULSPAN CONSTRUCTION DRAWINGS AND INSTALLATION GUIDE. REFER TO INSULSPAN CONSTRUCTION DRAWINGS FOR FINAL NAIL AND SCREW SCHEDULES.
2. ALL BUILDING COMPONENTS USED IN CONJUNCTION WITH THIS DETAIL SHALL BE IN COMPLIANCE WITH LOCAL CODE REQUIREMENT.

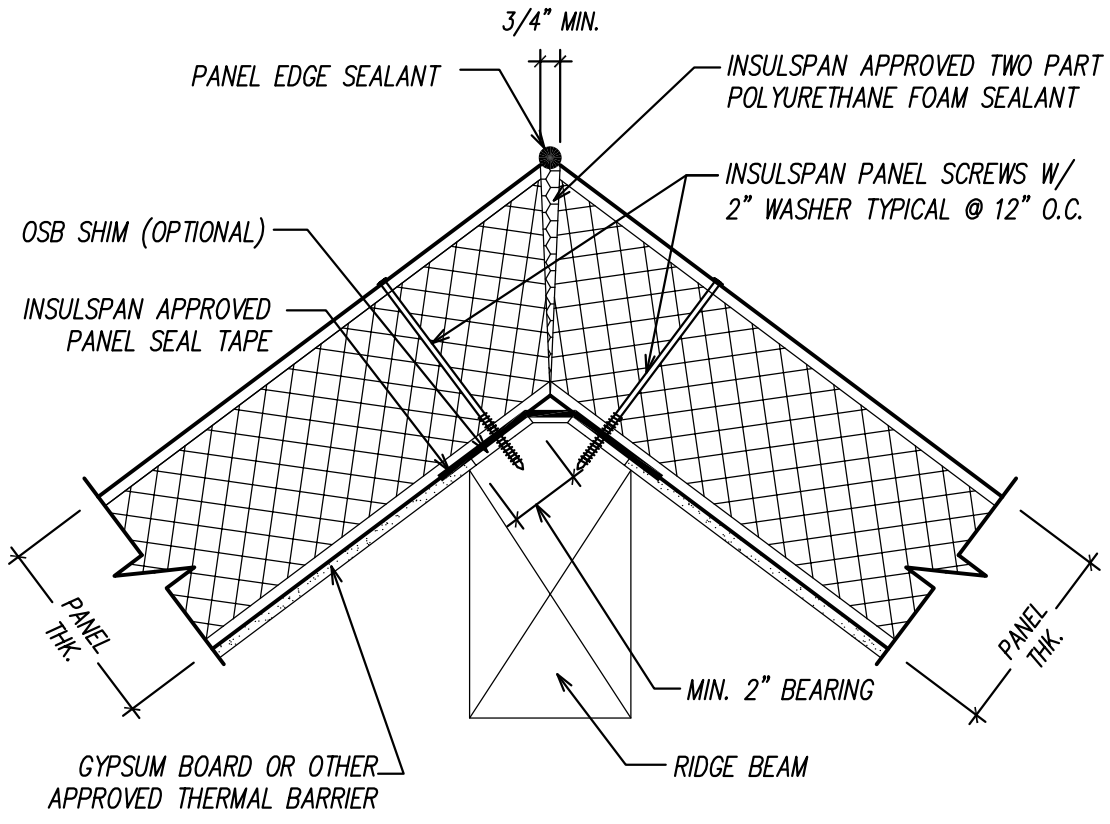


SIP ROOF/RAFTER/RIDGE PLATES

SCALE:N.T.S.

LAST UPDATE: 30/11/2007

300.21A



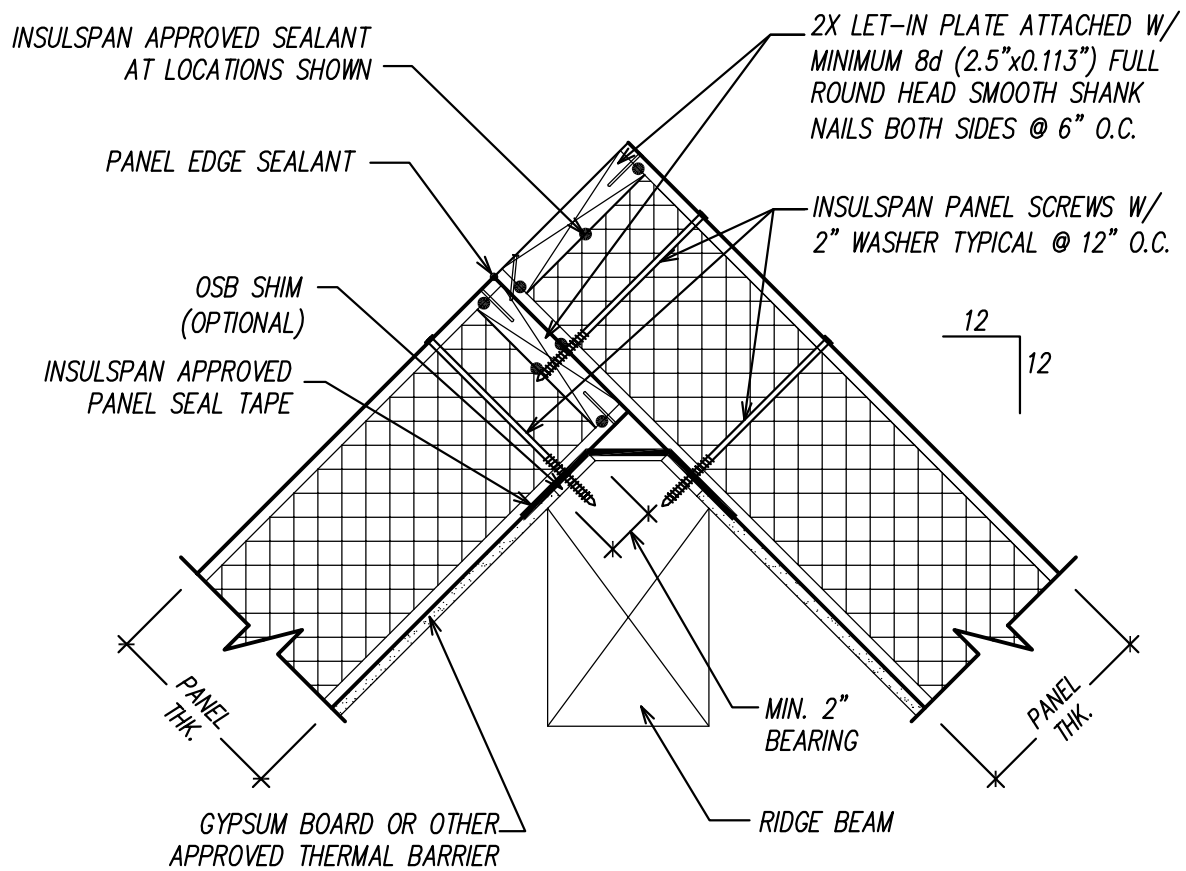
NOTES:

1. THE DETAIL IS TO BE USED WITH INSULSPAN CONSTRUCTION DRAWINGS AND INSTALLATION GUIDE. REFER TO INSULSPAN CONSTRUCTION DRAWINGS FOR FINAL NAIL AND SCREW SCHEDULES.
2. ALL BUILDING COMPONENTS USED IN CONJUNCTION WITH THIS DETAIL SHALL BE IN COMPLIANCE WITH LOCAL CODE REQUIREMENT.



SIP ROOF/RIDGE BEAM/TWO PART FOAM
 SCALE: N.T.S.
 LAST UPDATE: 30/11/2007

300.22



NOTES:

1. THE DETAIL IS TO BE USED WITH INSULSPAN CONSTRUCTION DRAWINGS AND INSTALLATION GUIDE. REFER TO INSULSPAN CONSTRUCTION DRAWINGS FOR FINAL NAIL AND SCREW SCHEDULES.
2. ALL BUILDING COMPONENTS USED IN CONJUNCTION WITH THIS DETAIL SHALL BE IN COMPLIANCE WITH LOCAL CODE REQUIREMENT.

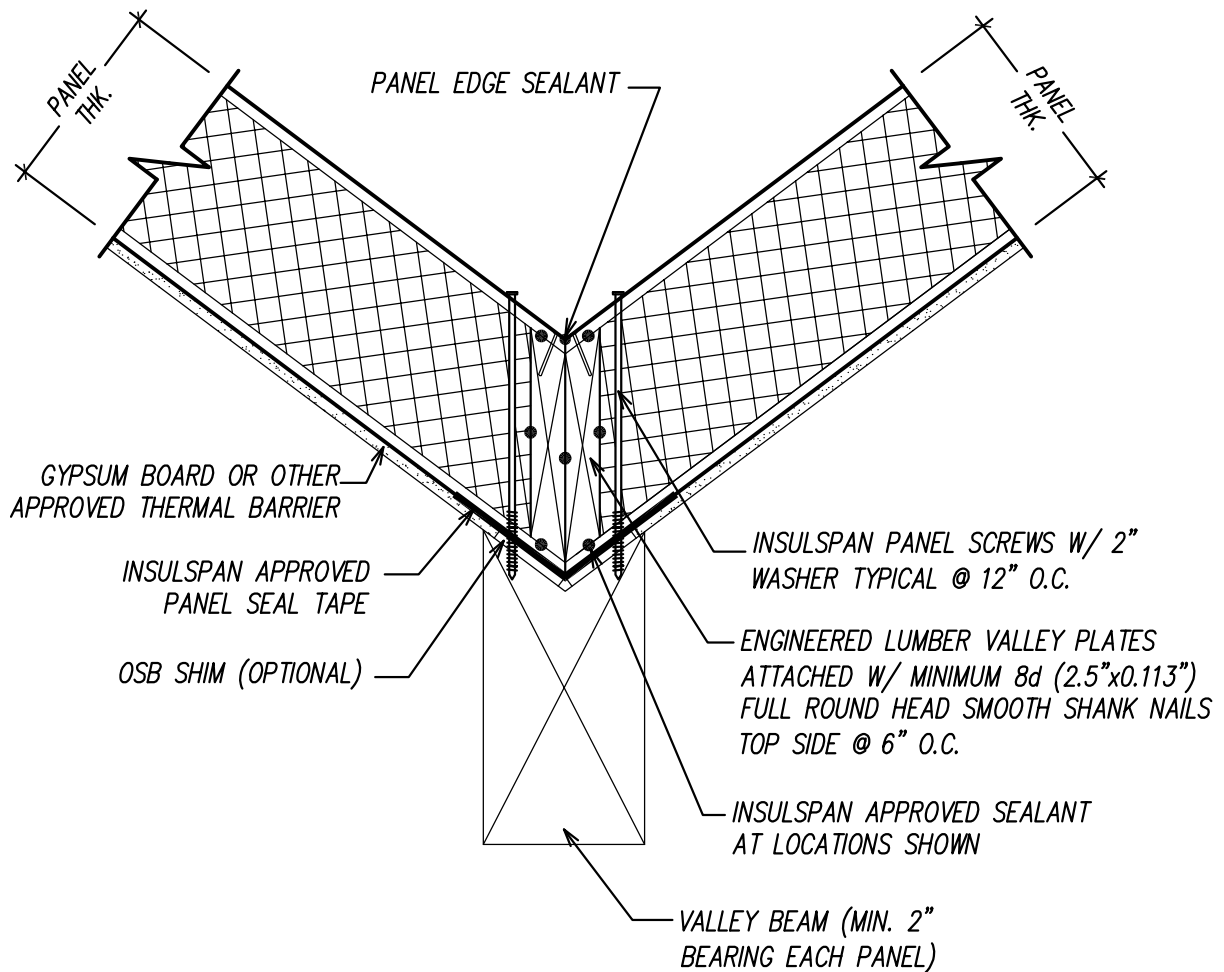


SIP ROOF/RIDGE BEAM/OVERLAY

SCALE:N.T.S.

LAST UPDATE: 30/11/2007

300.23



NOTES:

1. THE DETAIL IS TO BE USED WITH INSULSPAN CONSTRUCTION DRAWINGS AND INSTALLATION GUIDE. REFER TO INSULSPAN CONSTRUCTION DRAWINGS FOR FINAL NAIL AND SCREW SCHEDULES.
2. ALL BUILDING COMPONENTS USED IN CONJUNCTION WITH THIS DETAIL SHALL BE IN COMPLIANCE WITH LOCAL CODE REQUIREMENT.

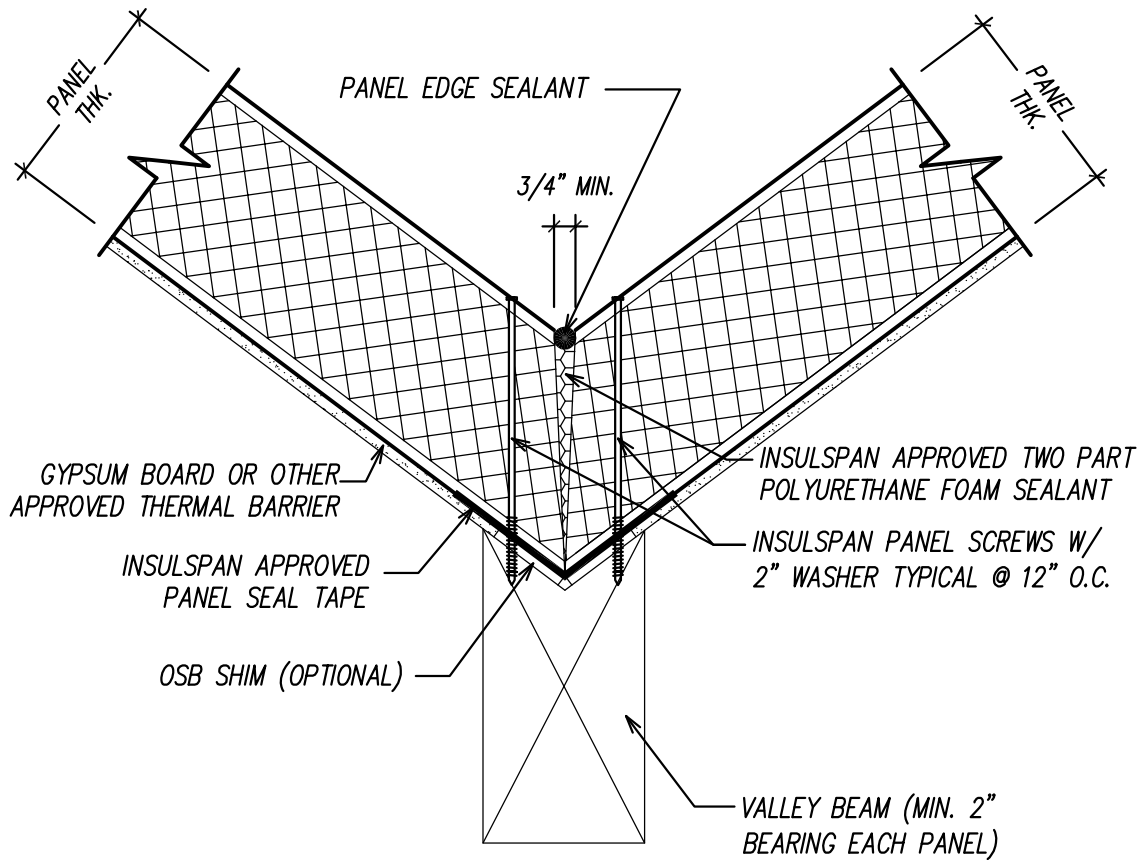


SIP ROOF/VALLEY BEAM/VALLEY PLATES

SCALE:N.T.S.

LAST UPDATE: 30/11/2007

300.31



NOTES:

1. THE DETAIL IS TO BE USED WITH INSULSPAN CONSTRUCTION DRAWINGS AND INSTALLATION GUIDE. REFER TO INSULSPAN CONSTRUCTION DRAWINGS FOR FINAL NAIL AND SCREW SCHEDULES.
2. ALL BUILDING COMPONENTS USED IN CONJUNCTION WITH THIS DETAIL SHALL BE IN COMPLIANCE WITH LOCAL CODE REQUIREMENT.

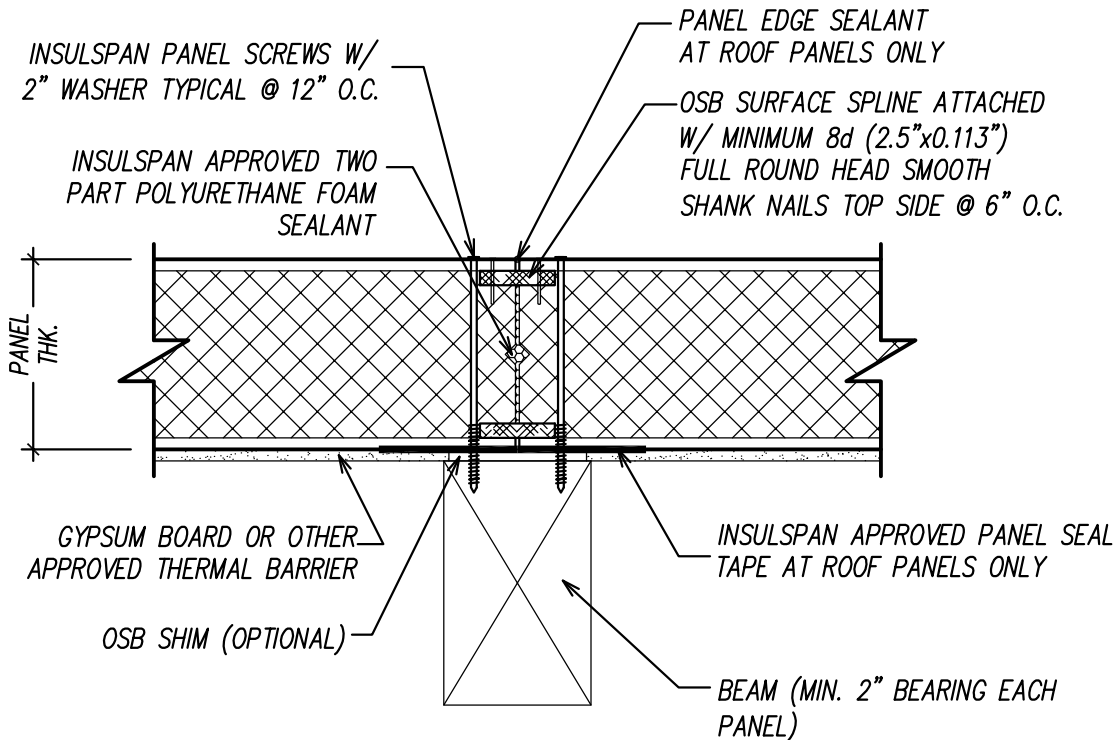


SIP ROOF/VALLEY BEAM/TWO PART FOAM

SCALE:N.T.S.

LAST UPDATE: 30/11/2007

300.32



NOTES:

1. THE DETAIL IS TO BE USED WITH INSULSPAN CONSTRUCTION DRAWINGS AND INSTALLATION GUIDE. REFER TO INSULSPAN CONSTRUCTION DRAWINGS FOR FINAL NAIL AND SCREW SCHEDULES.
2. ALL BUILDING COMPONENTS USED IN CONJUNCTION WITH THIS DETAIL SHALL BE IN COMPLIANCE WITH LOCAL CODE REQUIREMENT.

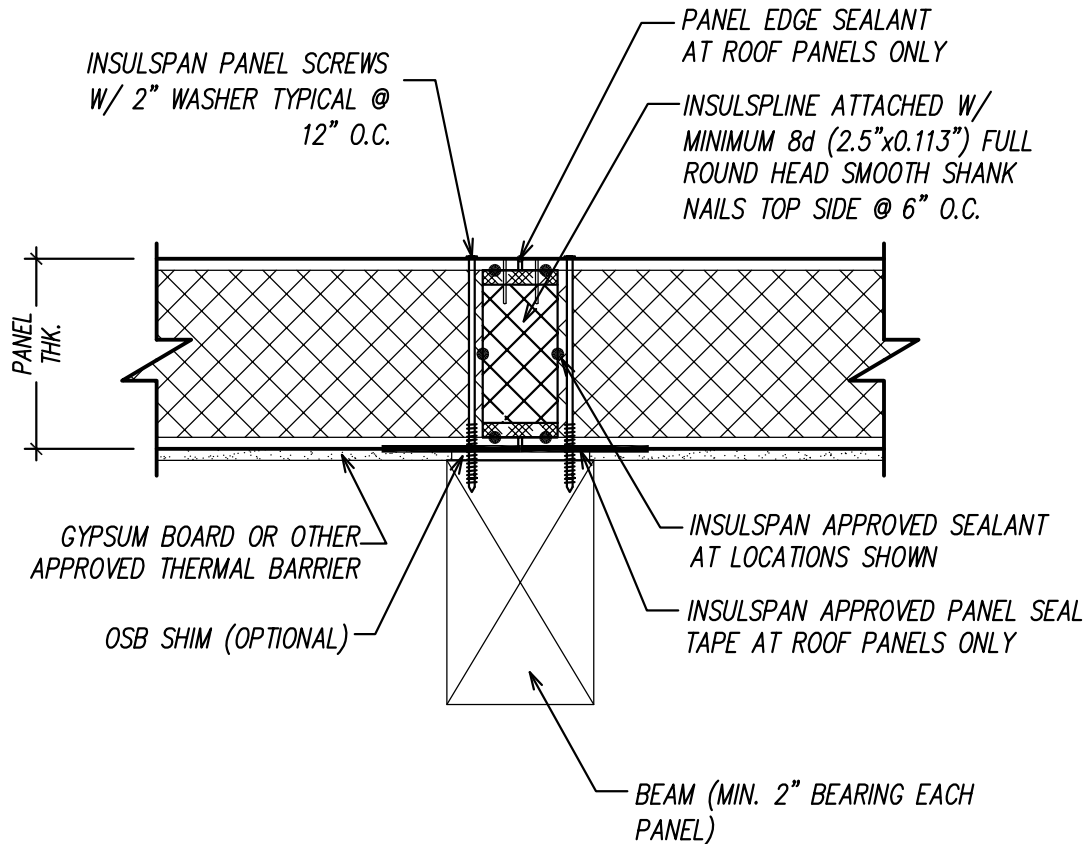


SIP JOINT/BEAM/OSB SURFACE SPLINE

SCALE:N.T.S.

LAST UPDATE: 30/11/2007

300.41



NOTES:

1. THE DETAIL IS TO BE USED WITH INSULSPAN CONSTRUCTION DRAWINGS AND INSTALLATION GUIDE. REFER TO INSULSPAN CONSTRUCTION DRAWINGS FOR FINAL NAIL AND SCREW SCHEDULES.
2. ALL BUILDING COMPONENTS USED IN CONJUNCTION WITH THIS DETAIL SHALL BE IN COMPLIANCE WITH LOCAL CODE REQUIREMENT.

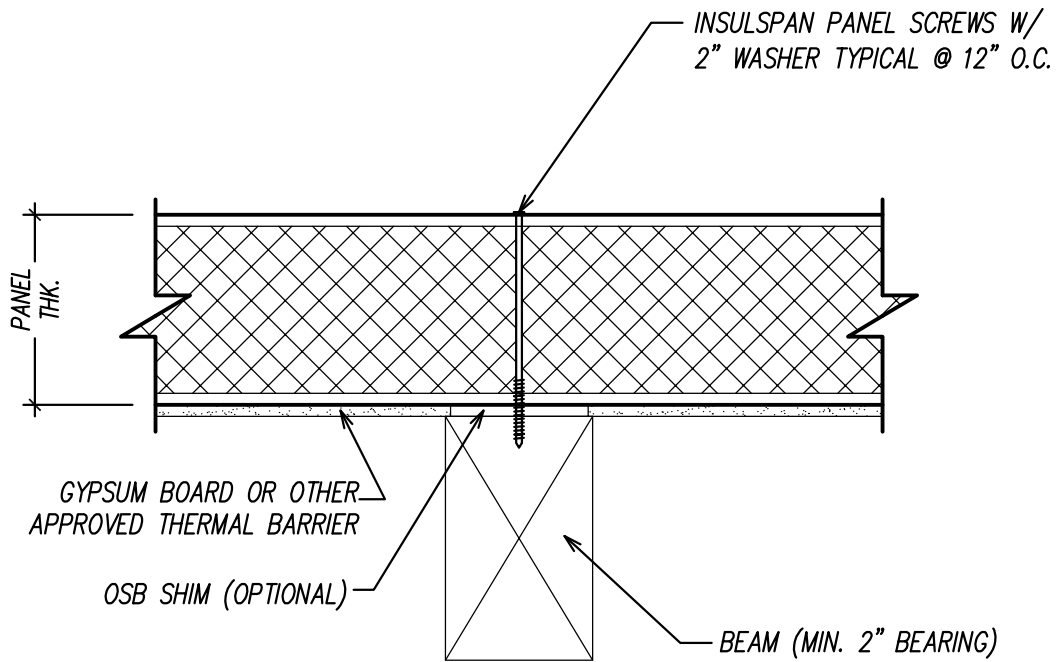
INSULSPAN[®]
STRUCTURAL INSULATING PANEL SYSTEM

SIP JOINTS/BEAM/INSULSPLINE

SCALE:N.T.S.

LAST UPDATE: 30/11/2007

300.41A



NOTES:

1. THE DETAIL IS TO BE USED WITH INSULSPAN CONSTRUCTION DRAWINGS AND INSTALLATION GUIDE. REFER TO INSULSPAN CONSTRUCTION DRAWINGS FOR FINAL NAIL AND SCREW SCHEDULES.
2. ALL BUILDING COMPONENTS USED IN CONJUNCTION WITH THIS DETAIL SHALL BE IN COMPLIANCE WITH LOCAL CODE REQUIREMENT.

INSULSPAN[®]
 STRUCTURAL INSULATING PANEL SYSTEM

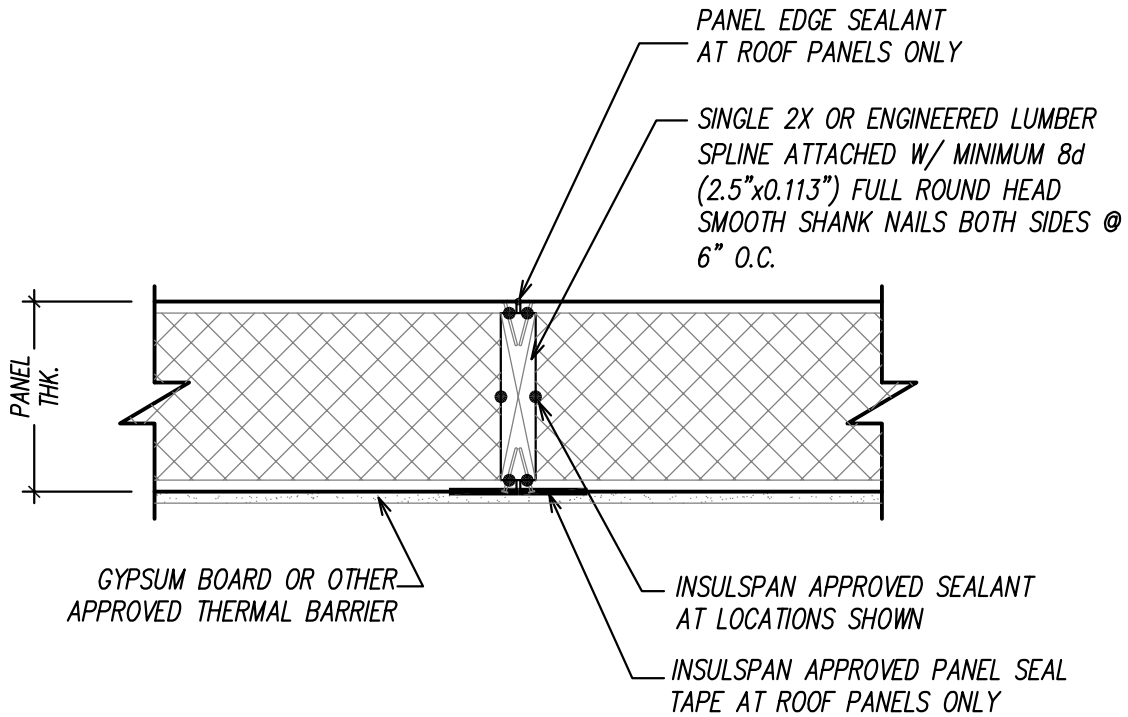
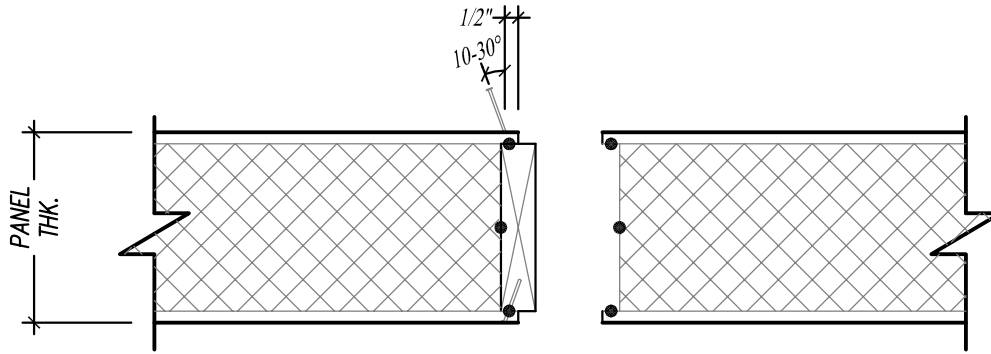
SIP PANEL/INTERMEDIATE BEAM

SCALE:N.T.S.

LAST UPDATE: 30/11/2007

300.42

NOTE: NAILS DRIVEN AT 10-30- ANGLE



NOTES:

1. THE DETAIL IS TO BE USED WITH INSULSPAN CONSTRUCTION DRAWINGS AND INSTALLATION GUIDE. REFER TO INSULSPAN CONSTRUCTION DRAWINGS FOR FINAL NAIL AND SCREW SCHEDULES.
2. ALL BUILDING COMPONENTS USED IN CONJUNCTION WITH THIS DETAIL SHALL BE IN COMPLIANCE WITH LOCAL CODE REQUIREMENT.

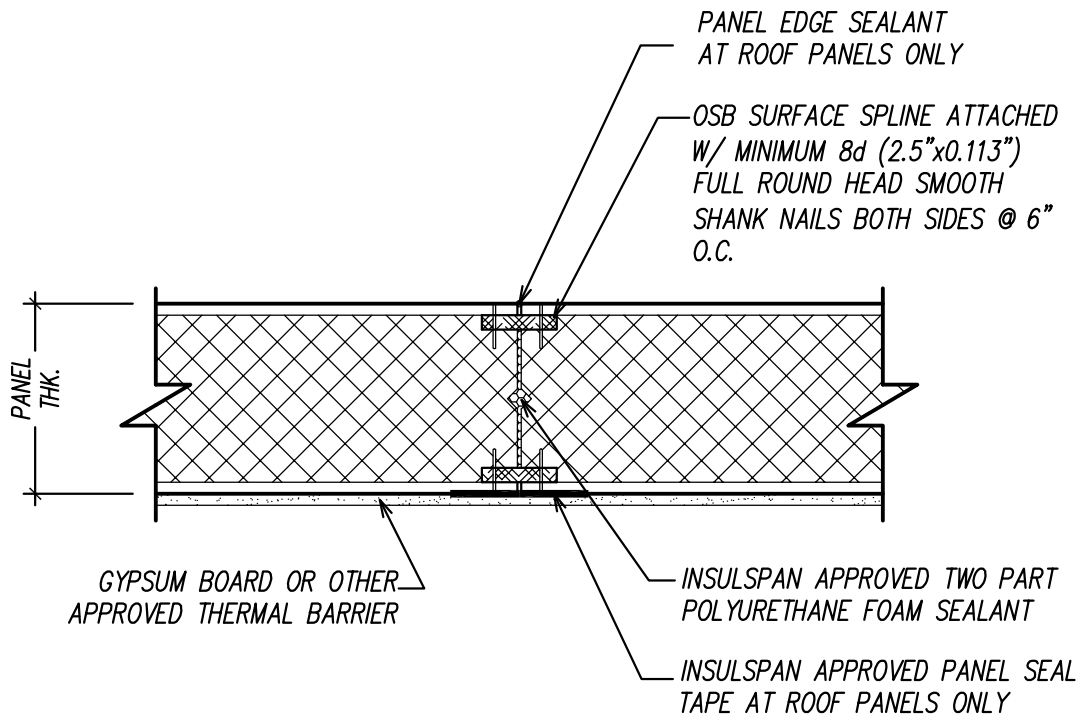
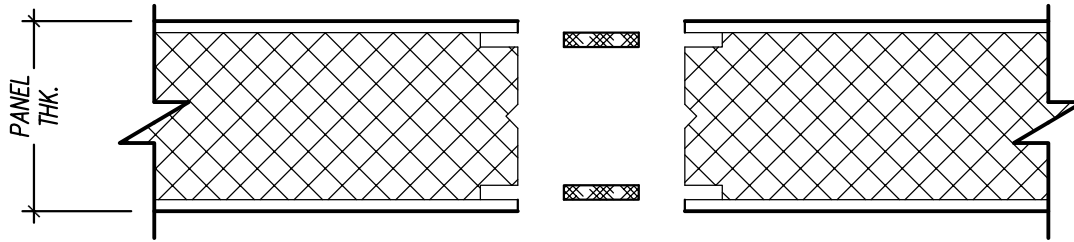
INSULSPAN[®]
STRUCTURAL INSULATING PANEL SYSTEM

SIP JOINT/SINGLE LUMBER SPLINE

SCALE:N.T.S.

LAST UPDATE: 30/11/2007

400.01



NOTES:

1. THE DETAIL IS TO BE USED WITH INSULSPAN CONSTRUCTION DRAWINGS AND INSTALLATION GUIDE. REFER TO INSULSPAN CONSTRUCTION DRAWINGS FOR FINAL NAIL AND SCREW SCHEDULES.
2. ALL BUILDING COMPONENTS USED IN CONJUNCTION WITH THIS DETAIL SHALL BE IN COMPLIANCE WITH LOCAL CODE REQUIREMENT.

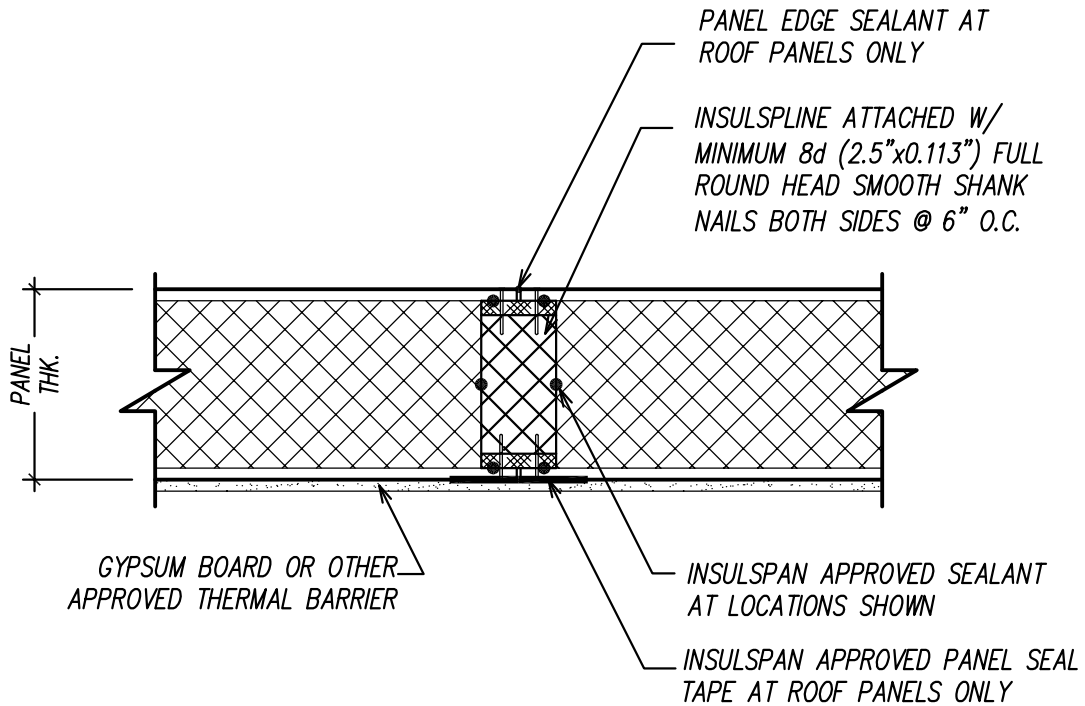
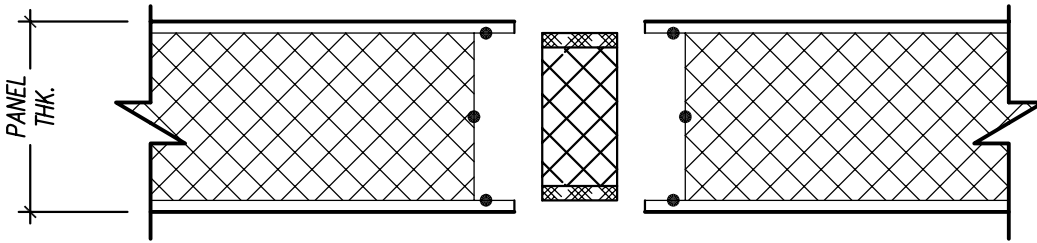


SIP JOINT/OSB SURFACE SPLINE

SCALE: N.T.S.

LAST UPDATE: 30/11/2007

400.02



NOTES:

1. THE DETAIL IS TO BE USED WITH INSULSPAN CONSTRUCTION DRAWINGS AND INSTALLATION GUIDE. REFER TO INSULSPAN CONSTRUCTION DRAWINGS FOR FINAL NAIL AND SCREW SCHEDULES.
2. ALL BUILDING COMPONENTS USED IN CONJUNCTION WITH THIS DETAIL SHALL BE IN COMPLIANCE WITH LOCAL CODE REQUIREMENT.

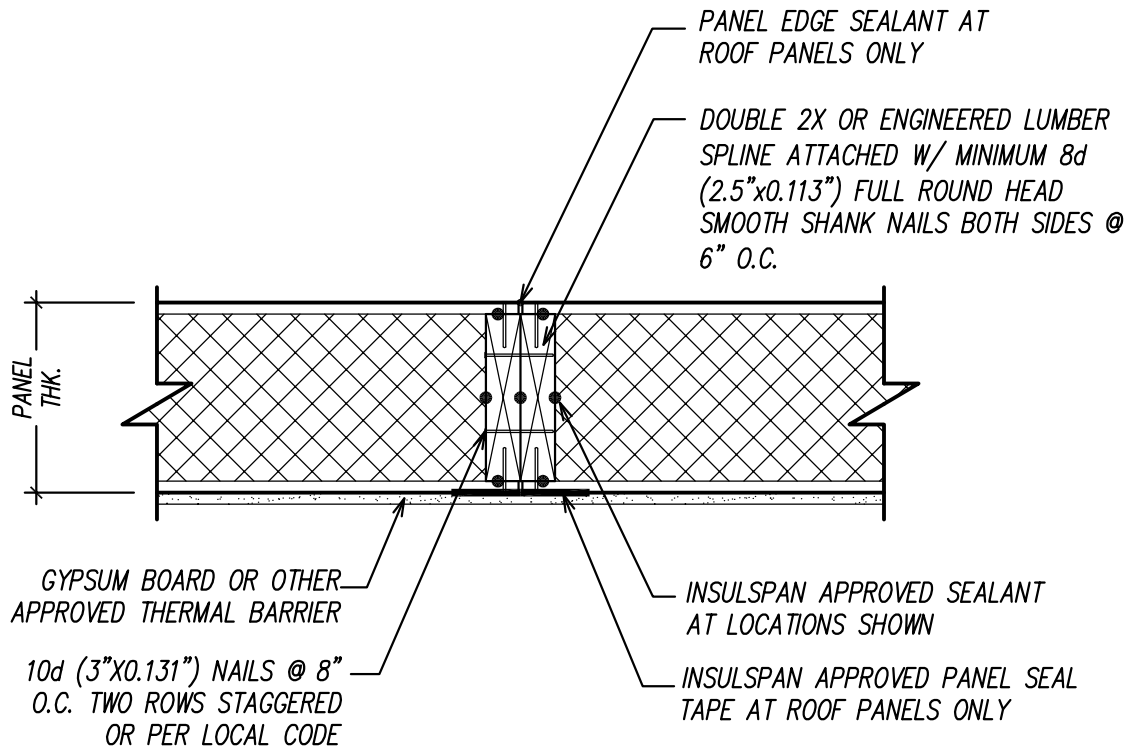
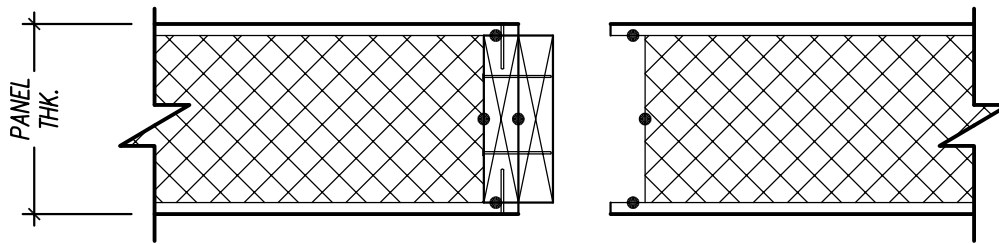
INSULSPAN[®]
STRUCTURAL INSULATING PANEL SYSTEM

SIP JOINT/INSULSPLINE

SCALE:N.T.S.

LAST UPDATE: 30/11/2007

400.03



NOTES:

1. THE DETAIL IS TO BE USED WITH INSULSPAN CONSTRUCTION DRAWINGS AND INSTALLATION GUIDE. REFER TO INSULSPAN CONSTRUCTION DRAWINGS FOR FINAL NAIL AND SCREW SCHEDULES.
2. ALL BUILDING COMPONENTS USED IN CONJUNCTION WITH THIS DETAIL SHALL BE IN COMPLIANCE WITH LOCAL CODE REQUIREMENT.

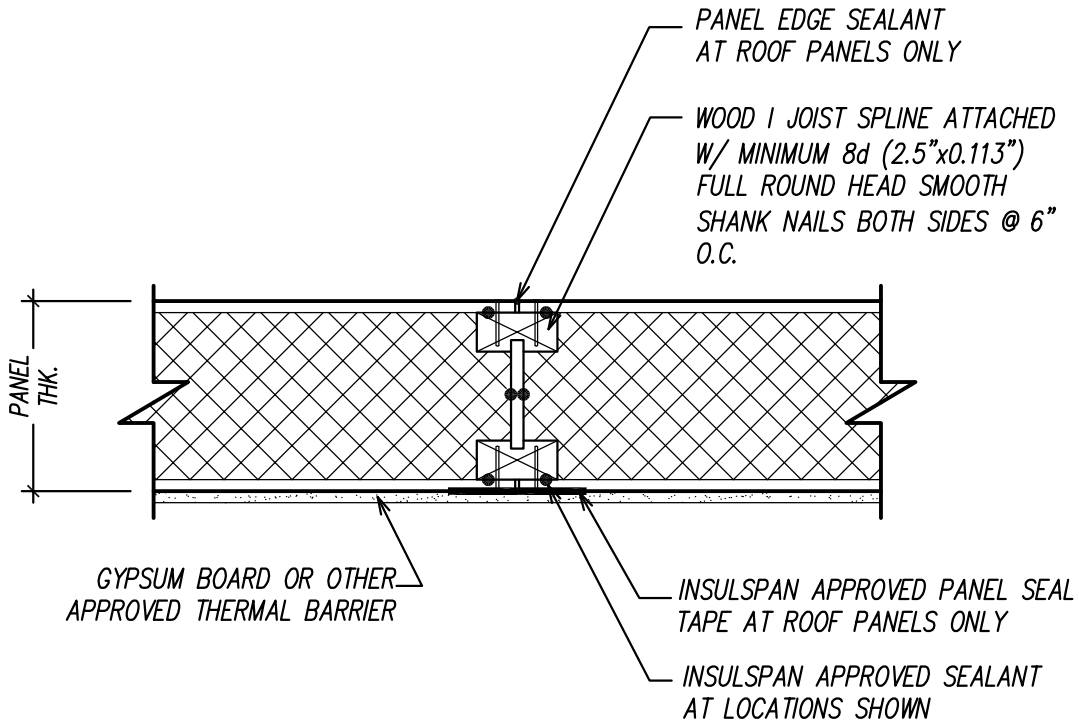
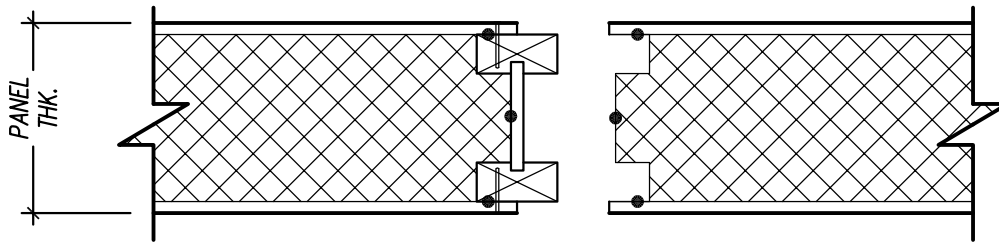
INSULSPAN[®]
STRUCTURAL INSULATING PANEL SYSTEM

SIP JOINT/DOUBLE LUMBER SPLINE

SCALE:N.T.S.

LAST UPDATE: 30/11/2007

400.04



NOTES:

1. THE DETAIL IS TO BE USED WITH INSULSPAN CONSTRUCTION DRAWINGS AND INSTALLATION GUIDE. REFER TO INSULSPAN CONSTRUCTION DRAWINGS FOR FINAL NAIL AND SCREW SCHEDULES.
2. ALL BUILDING COMPONENTS USED IN CONJUNCTION WITH THIS DETAIL SHALL BE IN COMPLIANCE WITH LOCAL CODE REQUIREMENT.

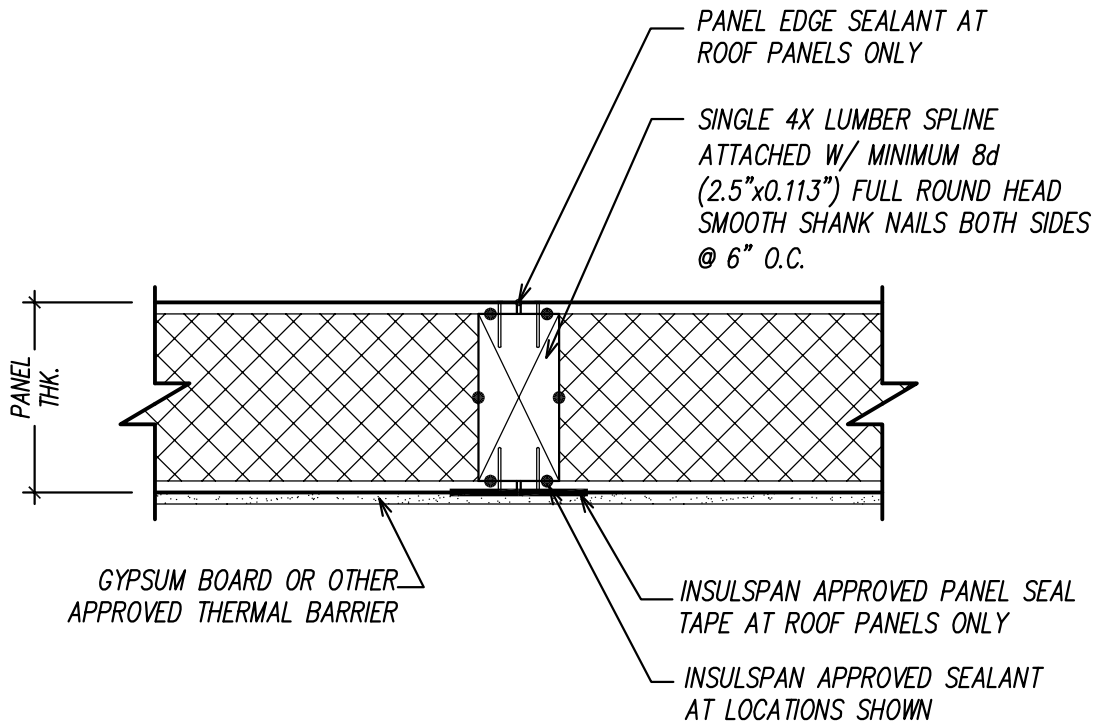
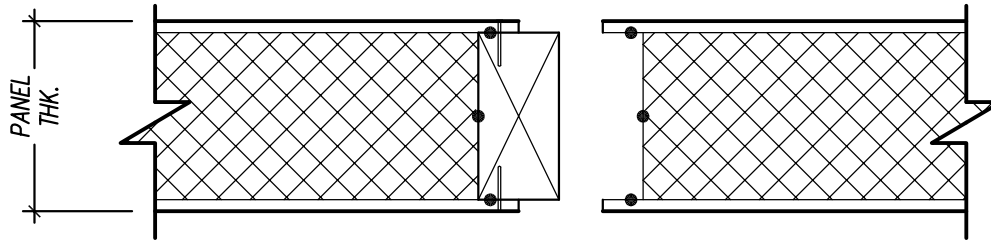
INSULSPAN[®]
STRUCTURAL INSULATING PANEL SYSTEM

SIP JOINT/WOOD I-JOIST SPLINE

SCALE:N.T.S.

LAST UPDATE: 30/11/2007

400.05



NOTES:

1. THE DETAIL IS TO BE USED WITH INSULSPAN CONSTRUCTION DRAWINGS AND INSTALLATION GUIDE. REFER TO INSULSPAN CONSTRUCTION DRAWINGS FOR FINAL NAIL AND SCREW SCHEDULES.
2. ALL BUILDING COMPONENTS USED IN CONJUNCTION WITH THIS DETAIL SHALL BE IN COMPLIANCE WITH LOCAL CODE REQUIREMENT.

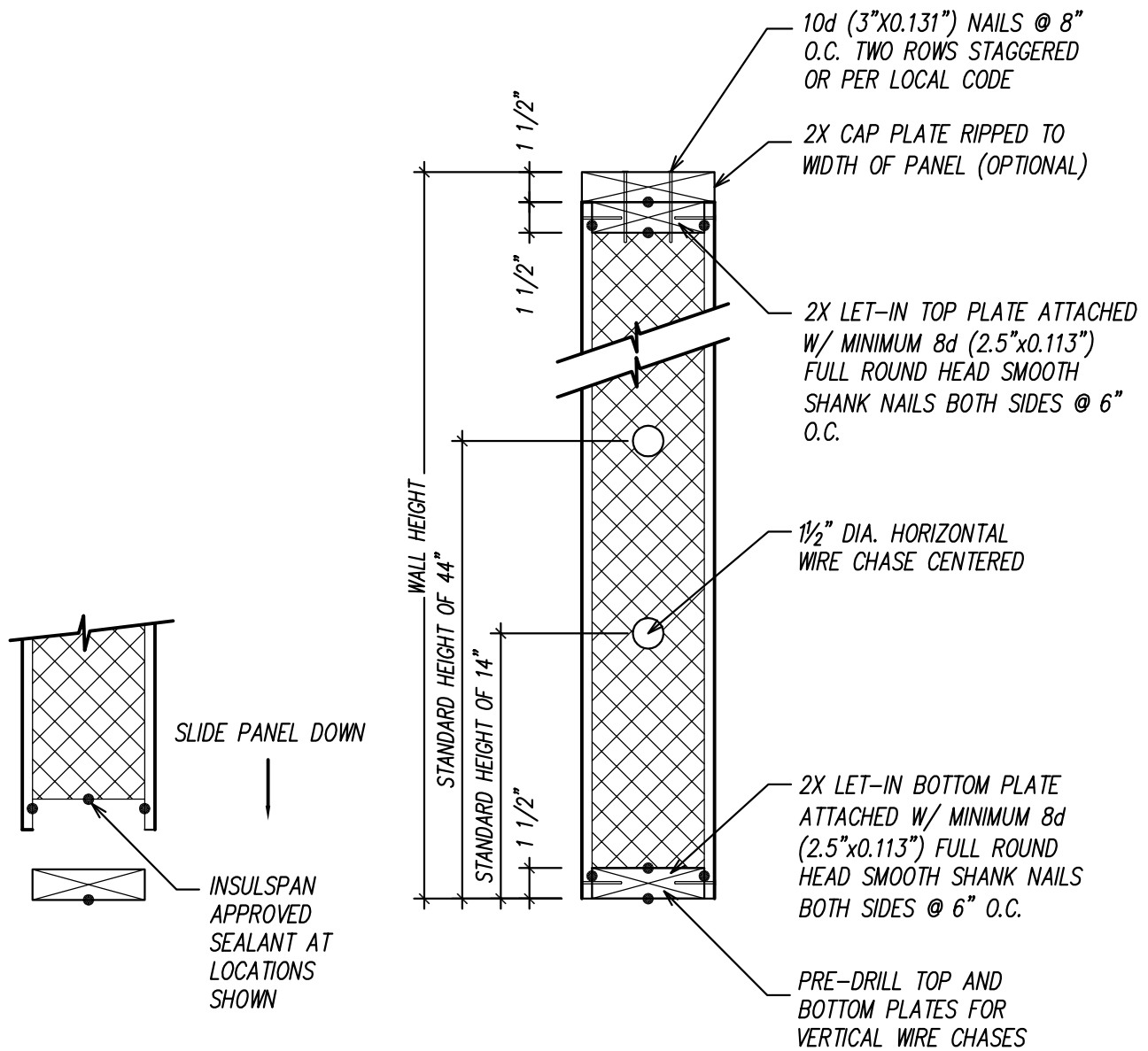
INSULSPAN[®]
 STRUCTURAL INSULATING PANEL SYSTEM

SIP JOINT/SINGLE 4X LUMBER SPLINE

SCALE:N.T.S.

LAST UPDATE: 30/11/2007

400.06



NOTES:

1. THE DETAIL IS TO BE USED WITH INSULSPAN CONSTRUCTION DRAWINGS AND INSTALLATION GUIDE. REFER TO INSULSPAN CONSTRUCTION DRAWINGS FOR FINAL NAIL AND SCREW SCHEDULES.
2. ALL BUILDING COMPONENTS USED IN CONJUNCTION WITH THIS DETAIL SHALL BE IN COMPLIANCE WITH LOCAL CODE REQUIREMENT.

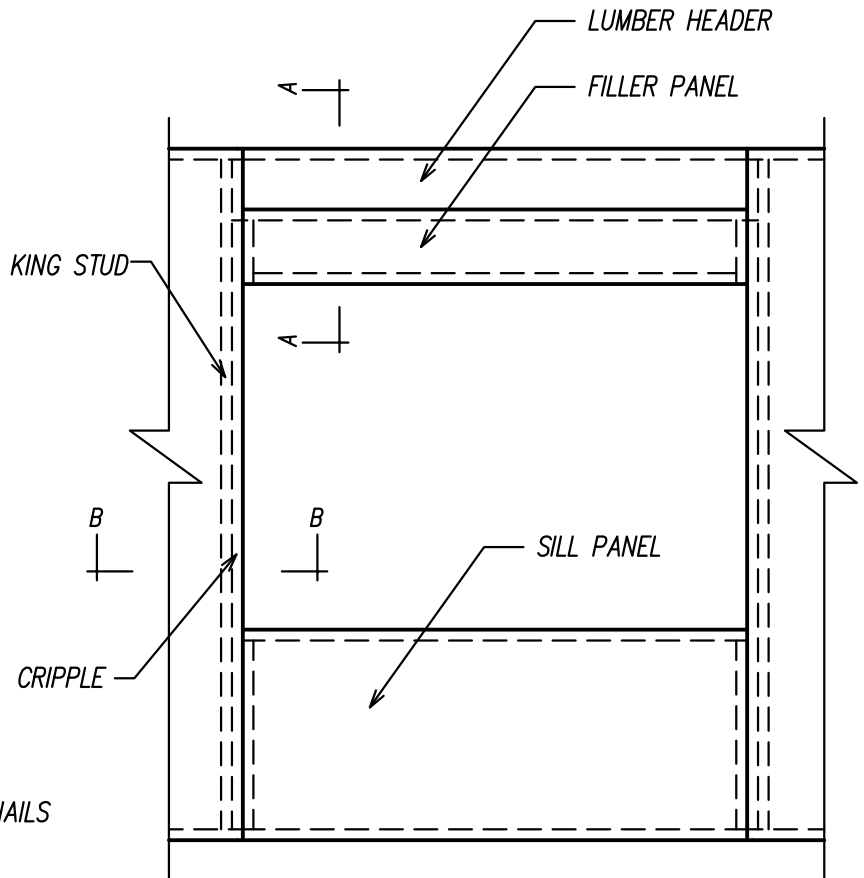
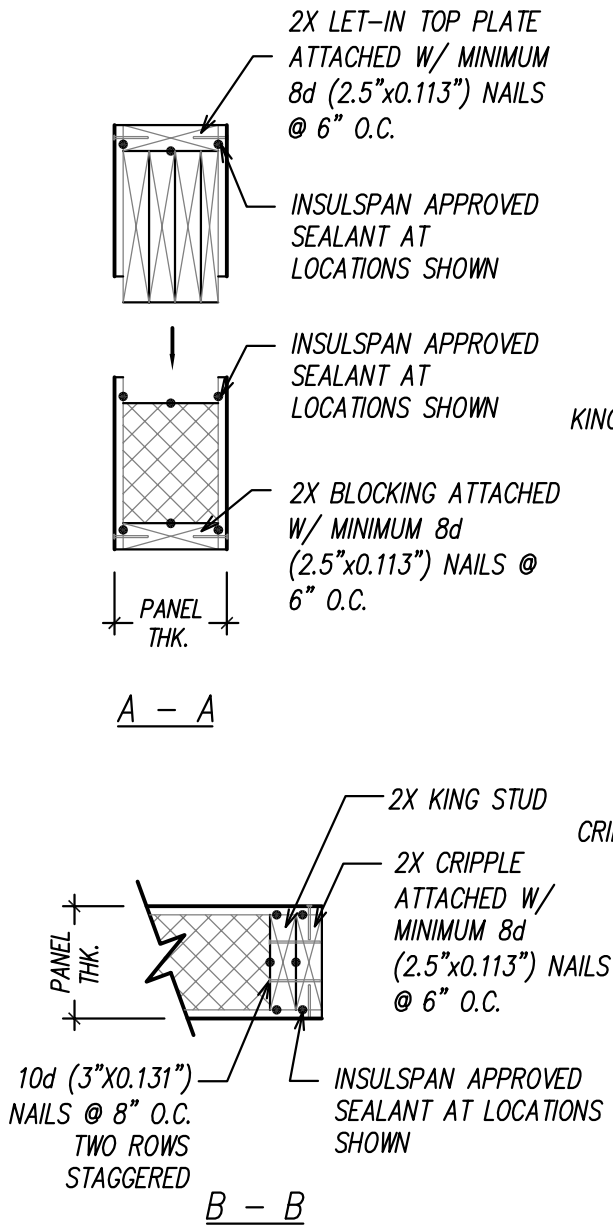


SIP WALL END CONNECTION DETAILS

SCALE: N.T.S.

LAST UPDATE: 30/11/2007

400.07



NOTES:

1. THE DETAIL IS TO BE USED WITH INSULSPAN CONSTRUCTION DRAWINGS AND INSTALLATION GUIDE. REFER TO INSULSPAN CONSTRUCTION DRAWINGS FOR FINAL NAIL AND SCREW SCHEDULES.
2. ALL BUILDING COMPONENTS USED IN CONJUNCTION WITH THIS DETAIL SHALL BE IN COMPLIANCE WITH LOCAL CODE REQUIREMENT.

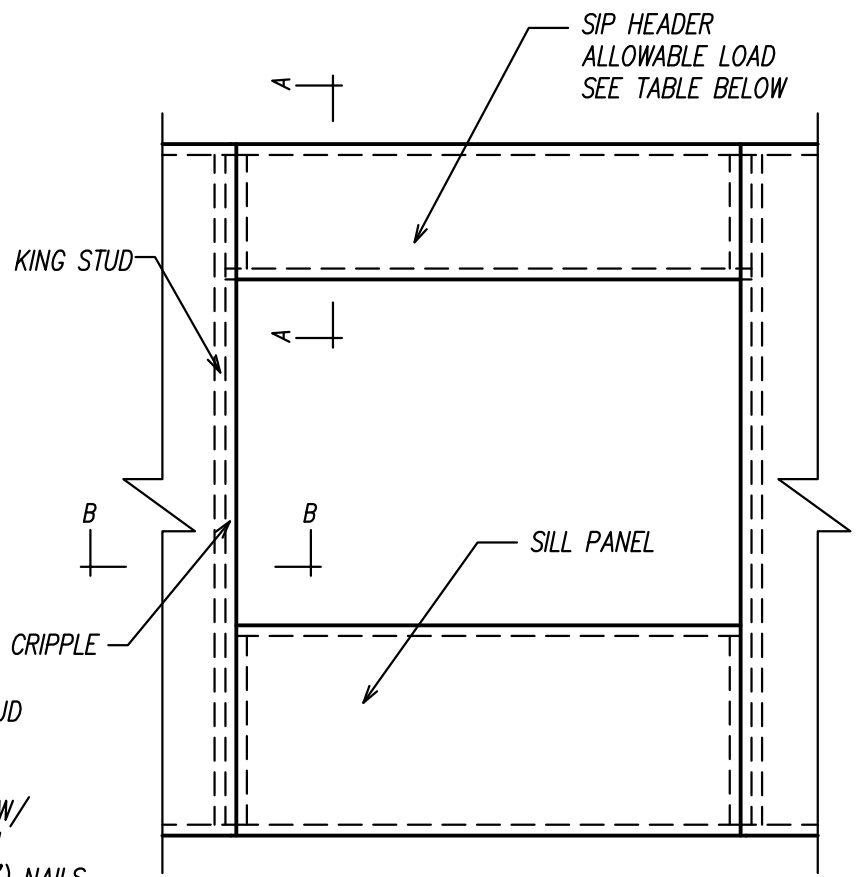
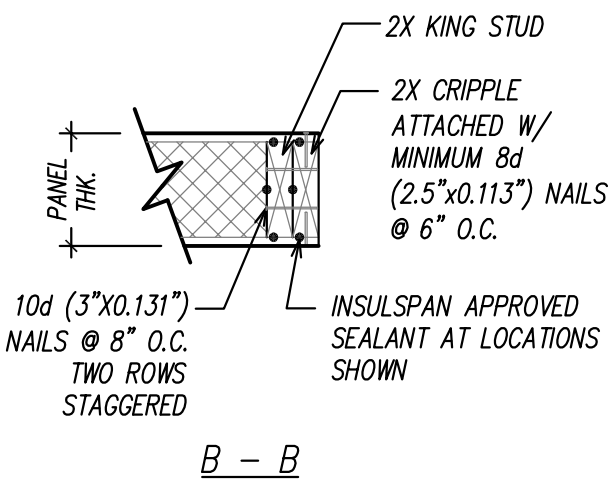
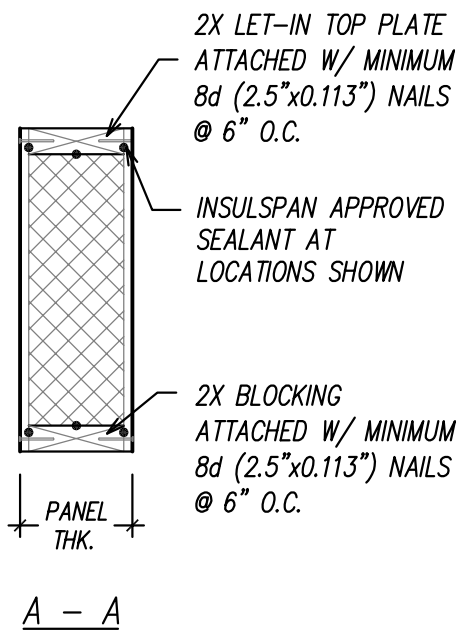
INSULSPAN[®]
STRUCTURAL INSULATING PANEL SYSTEM

OPENING/LUMBER HEADER

SCALE:N.T.S.

LAST UPDATE: 30/11/2007

400.11



SIP HEADER ALLOWABLE LOAD (plf)

HEADER HEIGHT	HEADER CLEAR SPAN			
	2 ft	4 ft	6 ft	8 ft
12"	1060	530	310	200

NOTES:

1. THE DETAIL IS TO BE USED WITH INSULSPAN CONSTRUCTION DRAWINGS AND INSTALLATION GUIDE. REFER TO INSULSPAN CONSTRUCTION DRAWINGS FOR FINAL NAIL AND SCREW SCHEDULES.
2. ALL BUILDING COMPONENTS USED IN CONJUNCTION WITH THIS DETAIL SHALL BE IN COMPLIANCE WITH LOCAL CODE REQUIREMENT.

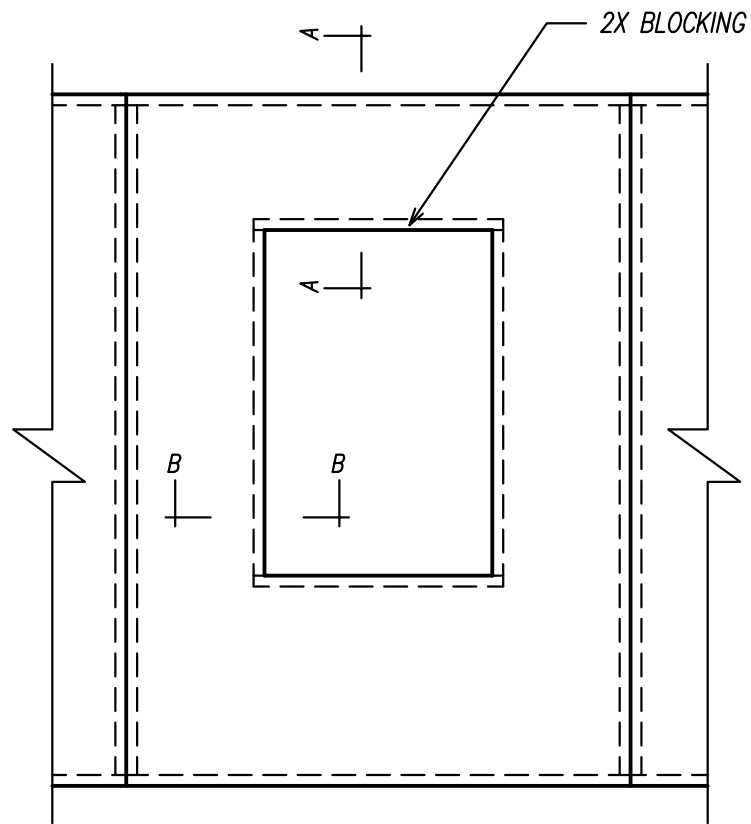
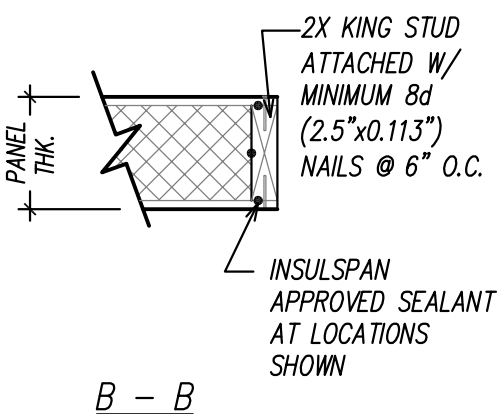
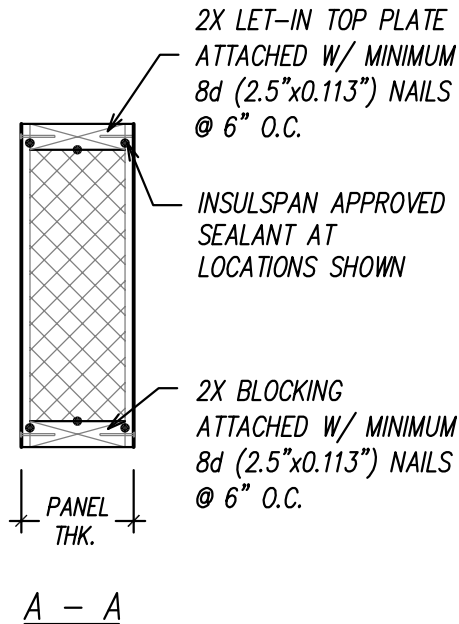


OPENING/SIP HEADER

SCALE:N.T.S.

LAST UPDATE: 30/11/2007

400.12



NOTES:

1. THE DETAIL IS TO BE USED WITH INSULSPAN CONSTRUCTION DRAWINGS AND INSTALLATION GUIDE. REFER TO INSULSPAN CONSTRUCTION DRAWINGS FOR FINAL NAIL AND SCREW SCHEDULES.
2. ALL BUILDING COMPONENTS USED IN CONJUNCTION WITH THIS DETAIL SHALL BE IN COMPLIANCE WITH LOCAL CODE REQUIREMENT.



SMALL OPENING INSIDE PANEL

SCALE:N.T.S.

LAST UPDATE: 30/11/2007

400.13